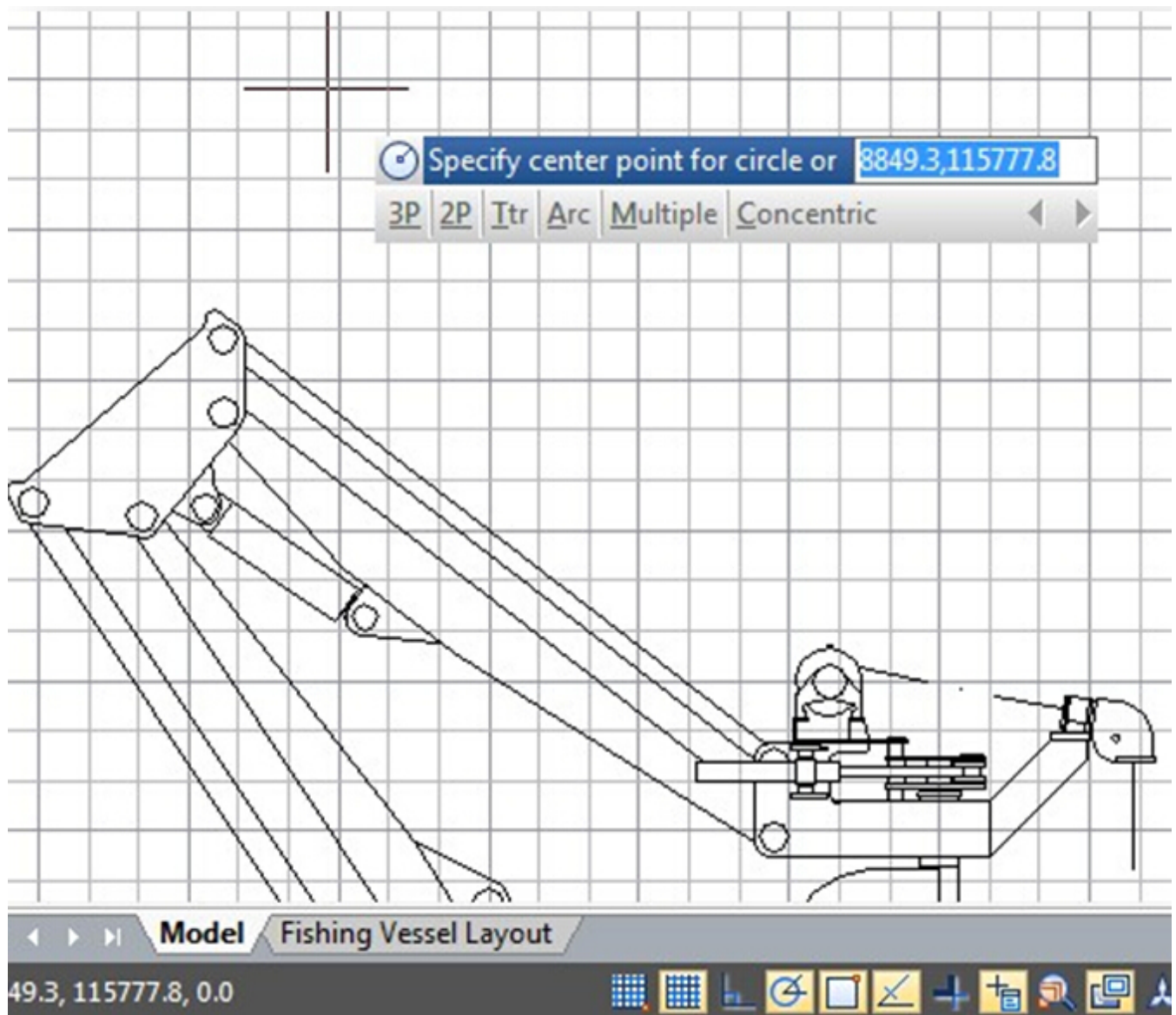


Dynamic Input

1017 GstarCAD Malaysia April 11, 2022 [Workflow](#) 0 4783

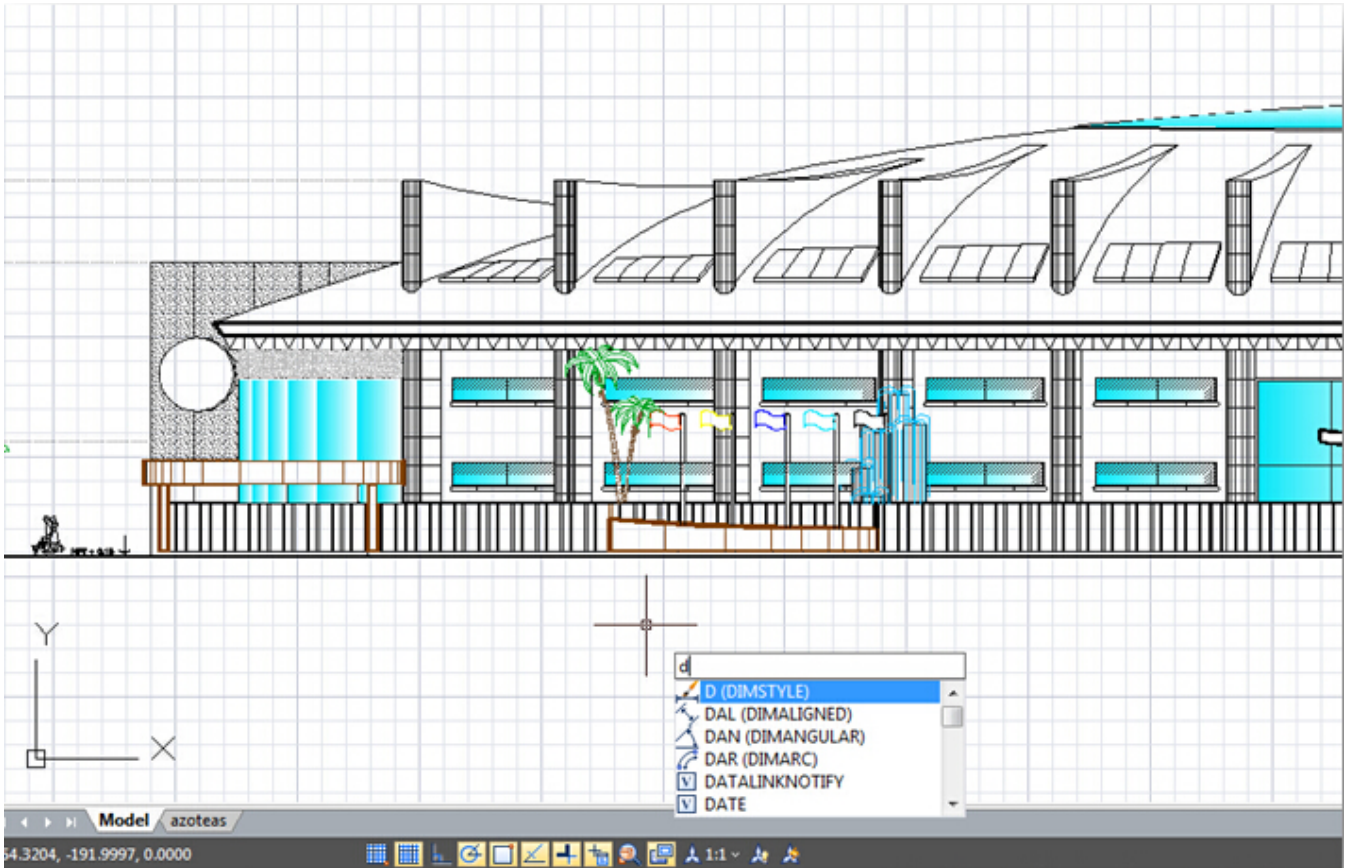
(Upgraded 2016) The traditional dynamic input has been improved, so now the dynamic input achieves the command line integration which means a great benefit by gaining more workspace and less eyes concentration.

Now the dynamic input in GstarCAD 2016 displays all options of a command and could select them in different methods. Users no longer need the command line either floated or docked, gaining more workspace to get wider viewing of the drawing and the most important, users will focus directly at the right spot of the drawing avoiding eyes concentration at command line.



Drafting Settings (Auto Complete Command Entry Enhancement)

In addition to dynamic input enhancement, now the auto complete command entry has a light enhancement regarding to command icon display. When type a command using the dynamic input, it displays a list of all the commands whose prefix matches what you've typed plus it will displays all their icons making easier to recognize them at glance.



Related tutorial video:

- [Ribbon](#) 00:33
- [Toolbars](#) 00:47
- [Menus and Shortcut Menus](#) 00:47
- [View](#) 01:43
- [Extrude](#) 01:44
- [Visual Style](#) 01:47
- [Enter command on the command line](#) 01:50
- [Cleanscreenoff](#) 02:09
- [Cleanscreenon](#) 02:09
- [Cleanscreenstate system variable](#) 02:09

- [Status bar related setting](#) 02:21
- [Dynamic input](#) 02:28
- [Options command](#) 02:39

Above video sources from [TUTORIAL - GETTING STARTED WITH GSTARCAD](#), enrol now for free.

Online URL: <https://www.gstarcad.com.my/knowledge/article/dynamic-input-1017.html>