

ATTDISP command

1975 GstarCAD MY /KW August 2, 2021 [CAD Commands](#) 0 1019

The **ATTDISP** command is used to control whether to display attribute in a graphic drawing.

Command Access:

Menu : View > Display > Attribute Display > On

Command : ATTDISP, (or 'attdisp for transparent use)

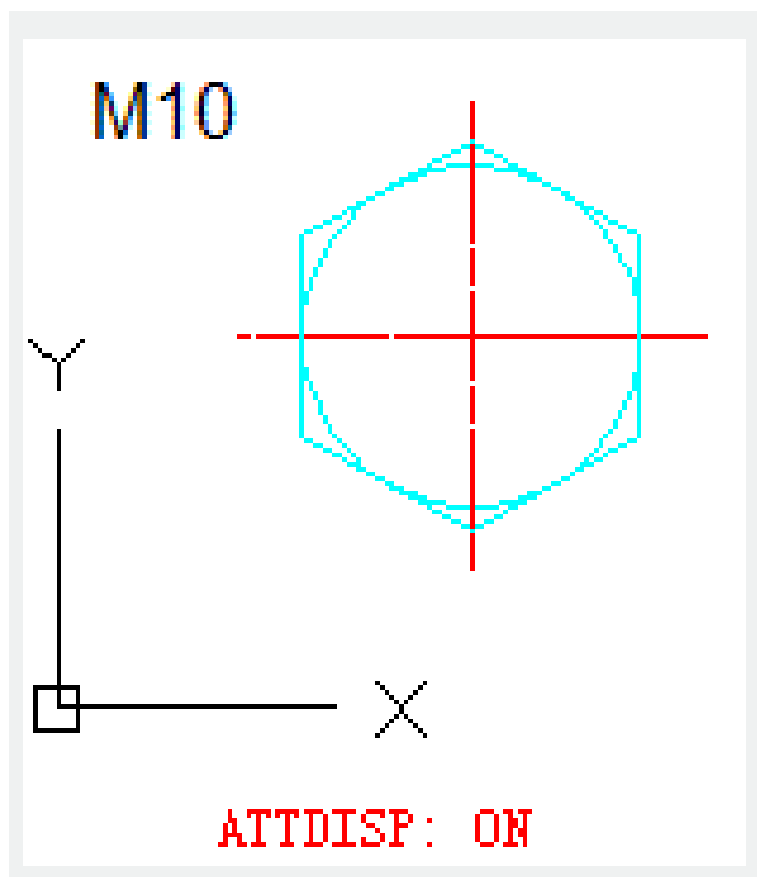
Command Prompts:

Enter attribute visibility setting [Normal/ON/OFF] <Normal>:

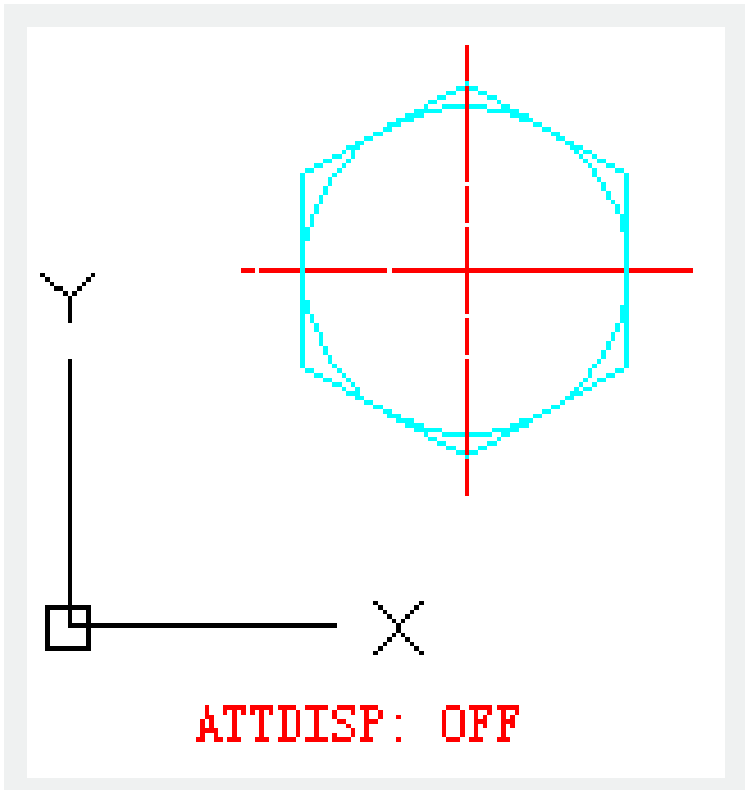
Relative Glossary:

Normal : Keep current visibility setting of each attribute. Display visibility attribute and hide invisible attribute.

ON : Display all attributes.



OFF: Hide all attributes.



Online URL: <https://www.gstarcad.com.my/knowledge/article/attdisp-command-1975.html>