

BOX command

2010 GstarCAD MY /KW April 15, 2022 [CAD Commands](#) 0 1119

The **BOX** command is used to create 3d solid box.

Command Access:

Ribbon : 3D > Modeling > Box

Menu : Draw > Modeling > Box

Command : BOX

Command Prompts:

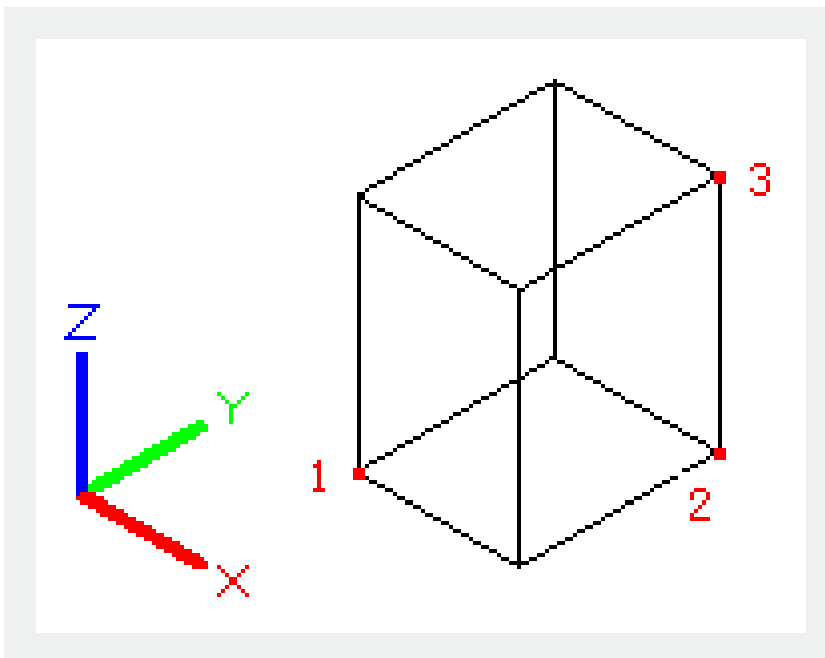
Specify first corner or [Center]:

Specify other corner or [Cube/Length]:

Specify height or [2Point]:

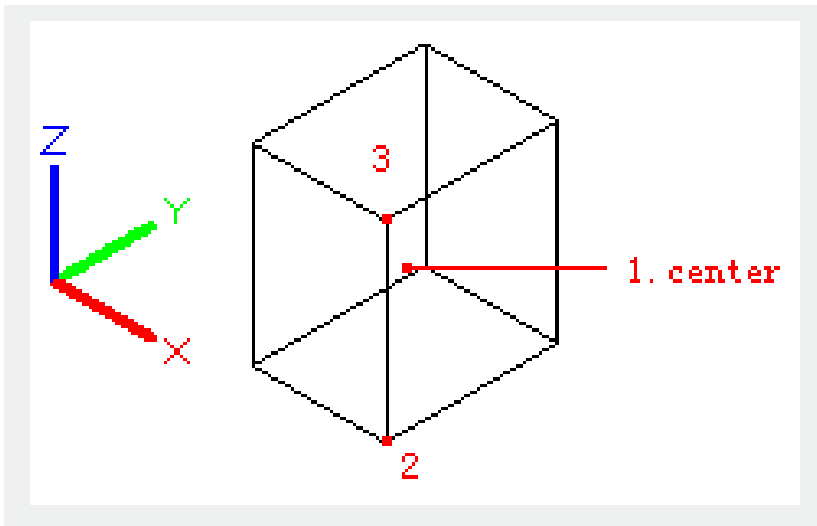
Function Description:

The base of created cuboid is always parallel to XY plane of current UCS. Users could specify cuboids' height by inputting Z value; it could be positive or negative. Inputting a positive value, the box will be created along the positive direction of z axis; inputting a negative value, the box will be created along the negative direction. If the Z value of the other corner point is different from the first corner point, the command prompt of "specify height" will not display.

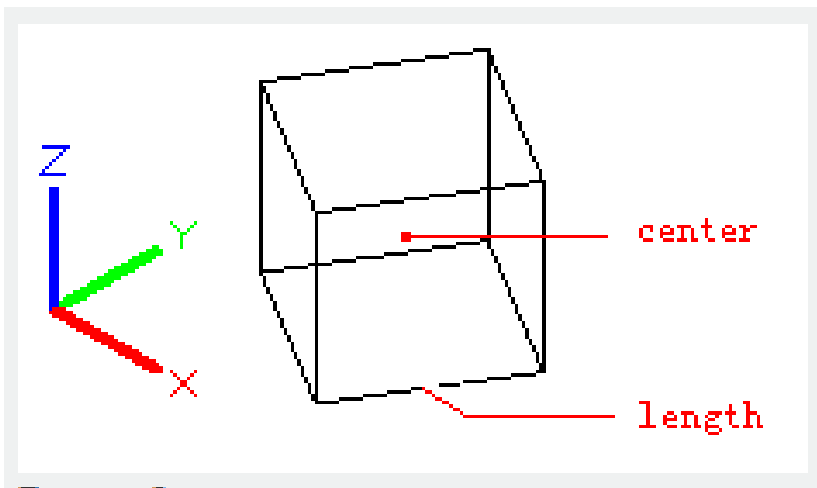


Relative Glossary:

Center : Create a cuboid by specified center.

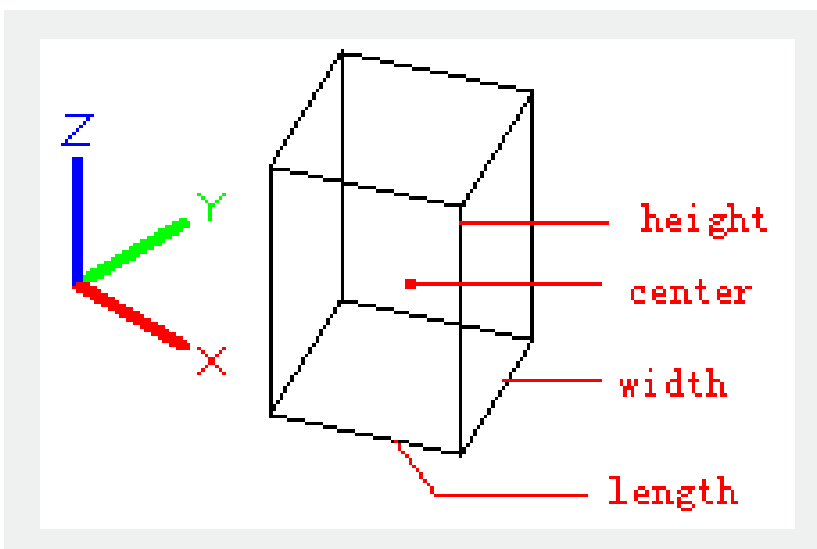


Cube : Create a cuboid with equivalent length, width, and height.



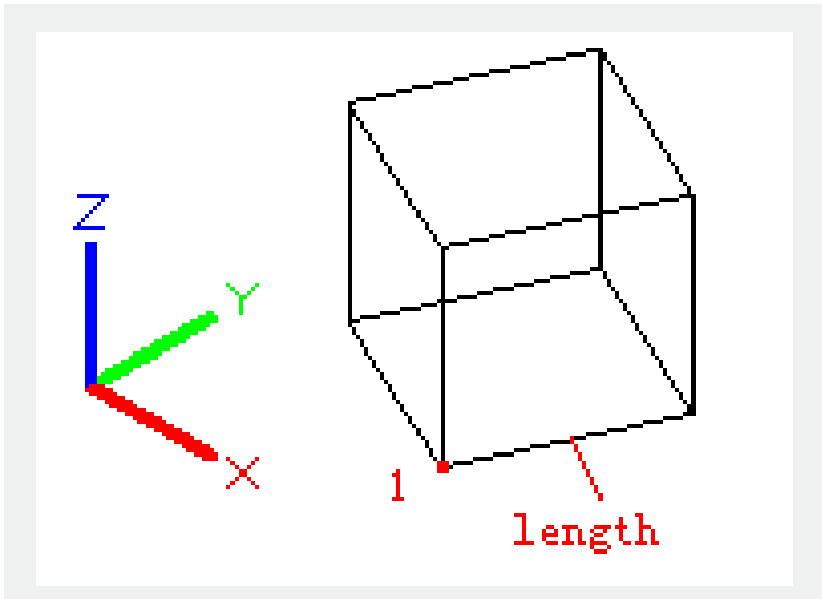
Length:

Create a cuboid by specified length, width, and height. The cuboid length is corresponding to X axis, the width is corresponding to Y axis, and the height is corresponding to Z axis.



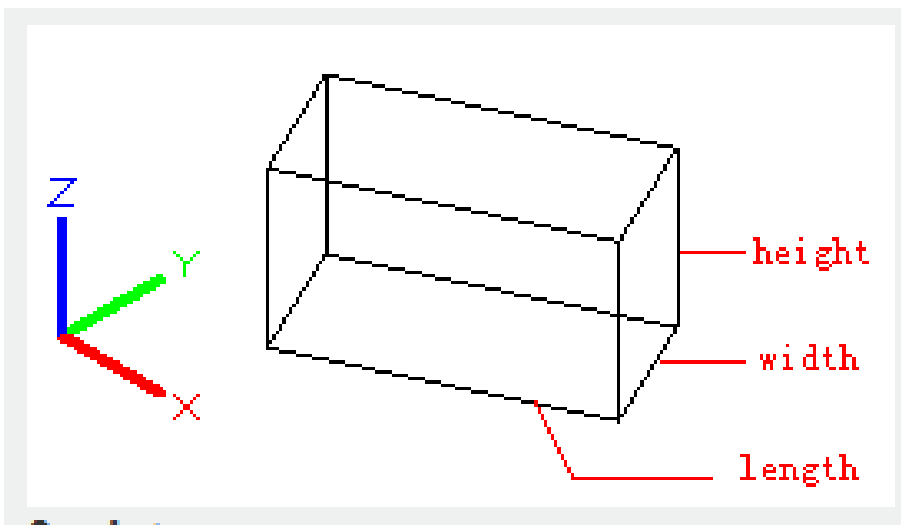
Cube:

Create a cuboid with equivalent length, width, and height.



Length:

Create a cuboid by specified length, width, and height. The cuboid length is corresponding to X axis, the width is corresponding to Y axis, and the height is corresponding to Z axis.



2point : Specify cuboid height by 2 points, the distance of 2 points determines cuboid height.

Related tutorial video:

- [View command](#) 00:25
- [Menus and Shortcut Menus](#) 00:37
- [Unisolateobjects command](#) 00:37
- [Qnew command](#) 00:48
- [Status bar related setting](#) 00:52
- [Box command](#) 01:03
- [Union command](#) 01:50
- [Xedges command](#) 02:03
- [Filletedge command](#) 02:08
- [Vscurrent command](#) 02:45
- [Extrude command](#) 03:27
- [Rectang command](#) 04:22
- [Move command](#) 04:45
- [Line command](#) 05:06
- [ARC command](#) 05:16
- [Trim command](#) 05:23
- [Join command](#) 05:46
- [Convto surface command](#) 06:35
- [Slice command](#) 06:51
- [Solidedit](#) 08:32

Above video sources from [TUTORIAL - GETTING STARTED WITH GSTARCAD](#), enrol now for free.

Online URL: <https://www.gstarcad.com.my/knowledge/article/box-command-2010.html>