

# BREAKLINE command

2015 GstarCAD MY /KW August 5, 2021 [CAD Commands](#) 0 941

The **BREAKLINE** command Creates a polyline and inserts the breakline symbol.

**Command Access :**

**Command :** BREAKLINE

**Menu :** Express tools>Draw>Breakline Symbol

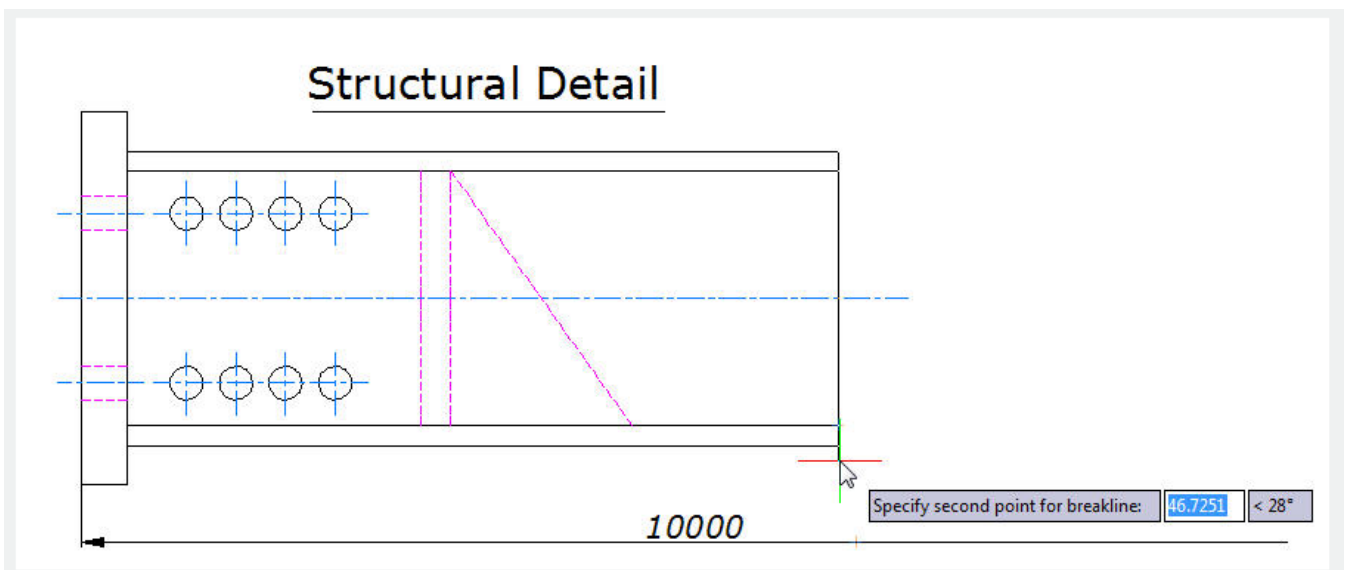
**Function Description :**

The options within this command are provided to control the relative size and appearance of the breakline symbol and an extension of the polyline beyond the selected start and end points.

Once start the command, the command line prompts as follows:

Block = BRKLINE.DWG, Size = 1.000, Extension = 1.250 .

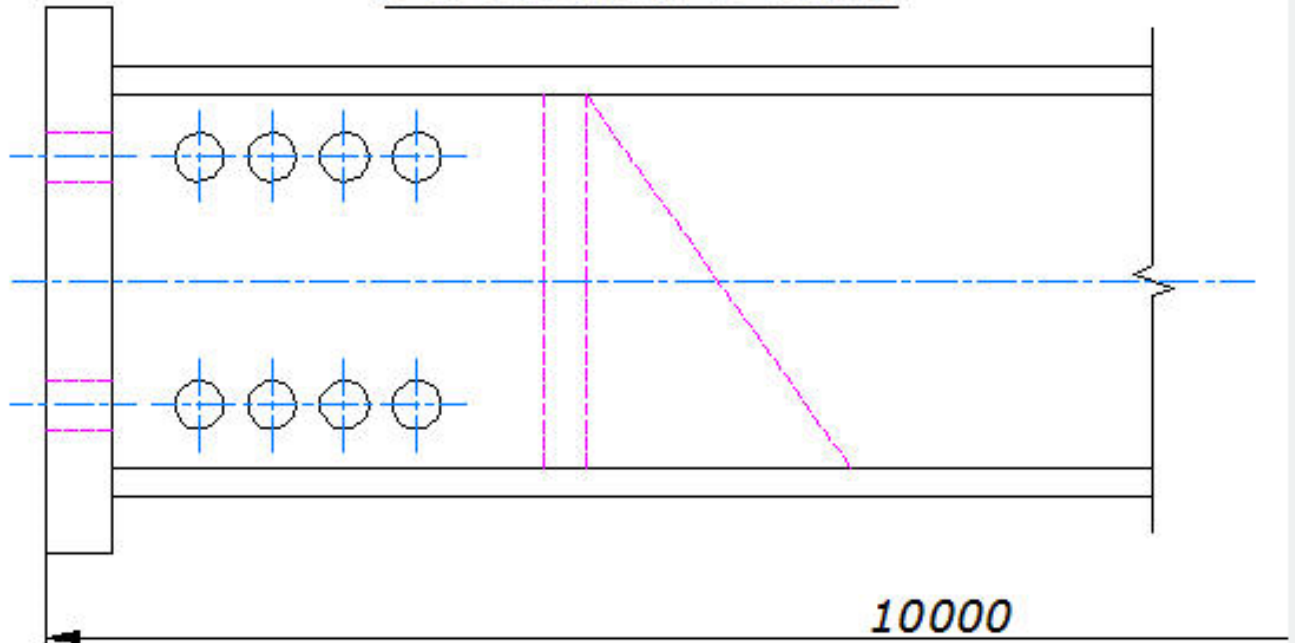
Specify first point for breakline or [Block/Size/Extension/sPecify line for breakline]: Specify a point, or enter options



**Options:**

**Specify first point for breakline:** Draws break line through specifying its start point and end point.

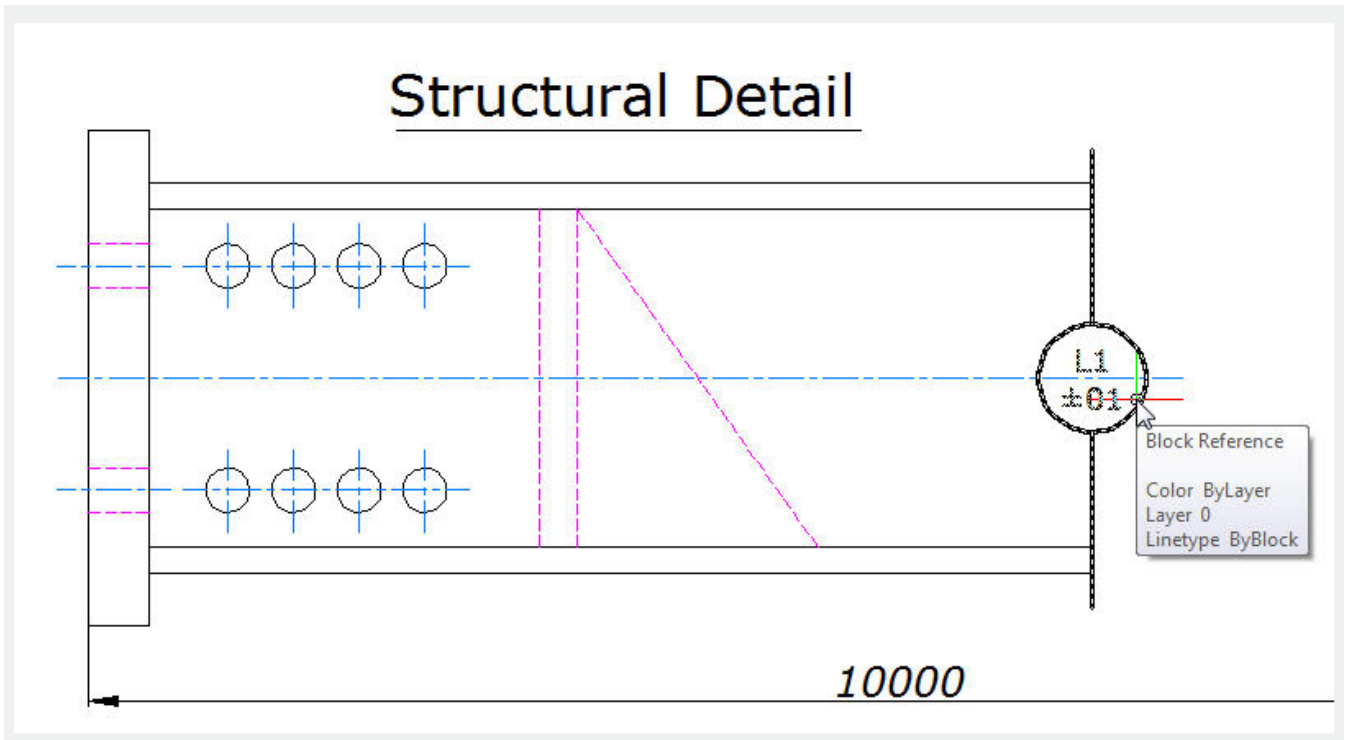
## Structural Detail



**Block:** Determines the block to be used as the breakline symbol.

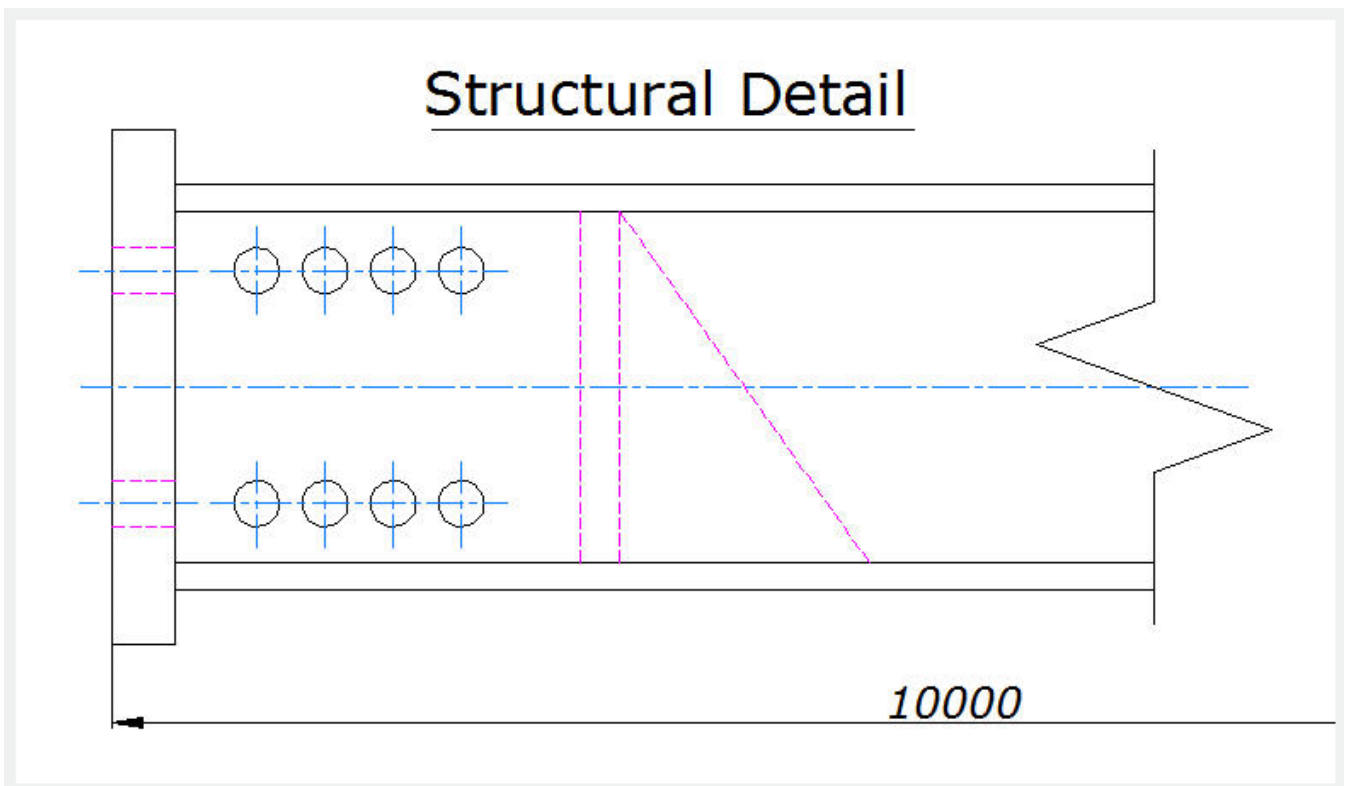
**Enter the block name for breakline symbol <BRKLINE.DWG>:** Enter a block name and press ENTER or press ENTER.

If you press ENTER directly, the saving path of the break symbol file will be displayed on the command line.



**Size:** Determines the size of the breakline symbol.

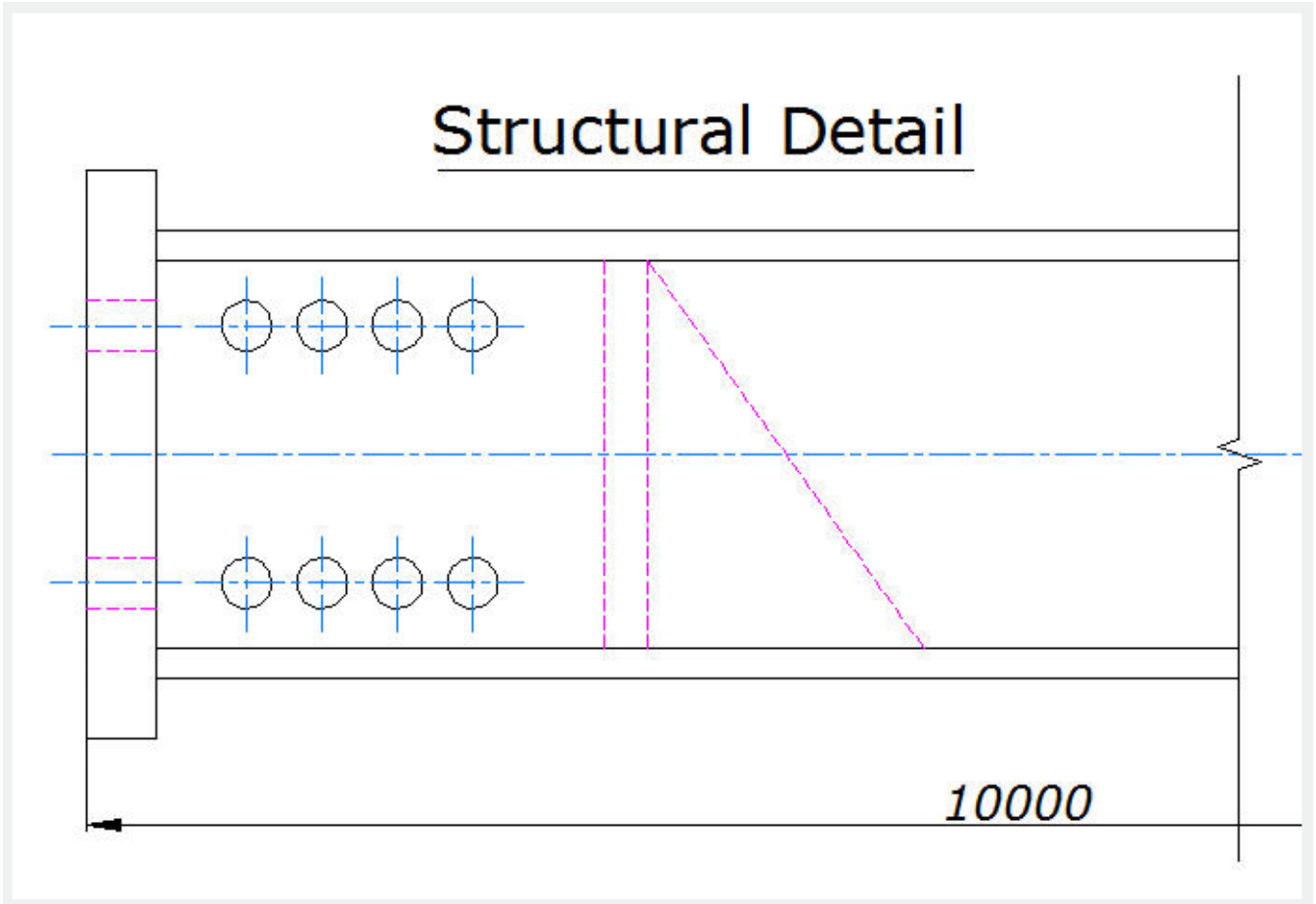
**Breakline symbol size <1>:** Specify the size of the breakline symbol



**Extension:** Determines the length of the line extension beyond selected points.

**Breakline extension distance <1.25>:** Specify the extension distance. Once the start point for the

break line or the setup break symbol is assigned , the command line prompts as follows:  
**Specify second point for breakline:** Specify a point



Specify location for break symbol <Midpoint>:Specify the point on the line segment to specify the location of the breakline symbol, or press ENTER to use the midpoint of the line.

Online URL: <https://www.gstarcad.com.my/knowledge/article/breakline-command-2015.html>