

CIRCLE command

2022 GstarCAD MY /KW April 14, 2022 [CAD Commands](#) 0 1524

The **CIRCLE** command is used to create a circle.

Command Access:

Ribbon : Home > Draw > Circle

Menu : Draw > Circle

Command : CIRCLE

Command Prompts:

Specify center point for circle or [3P/2P/Ttr/Arc/Multiple/Concentric]:

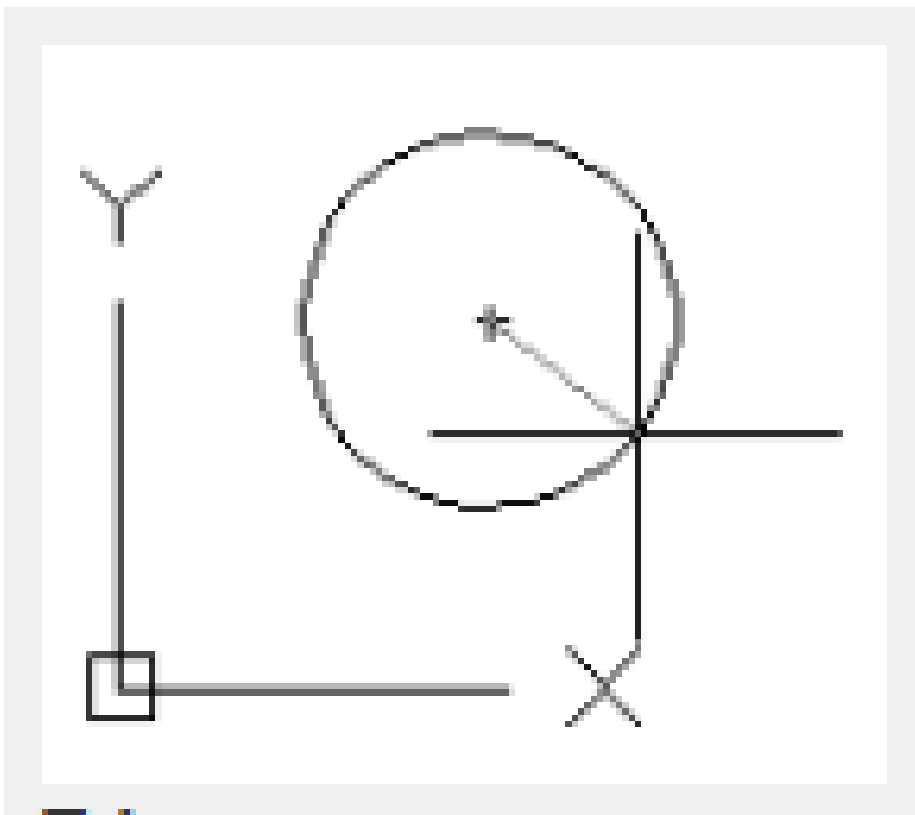
Relative Glossary:

Center point:

Create a circle by specifying its center point and diameter (or radius).

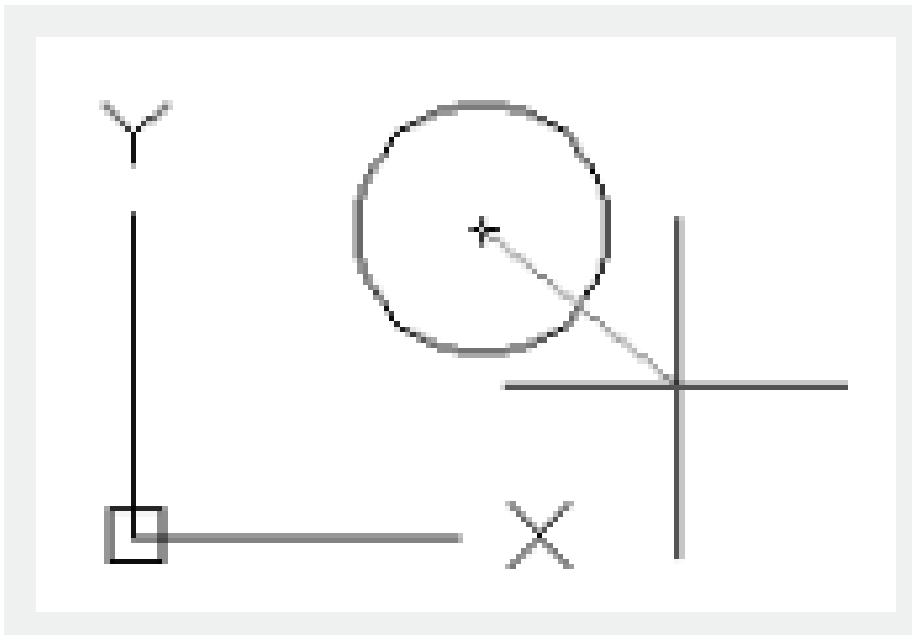
Radius:

Define circle radius by inputting value or specifying a point.

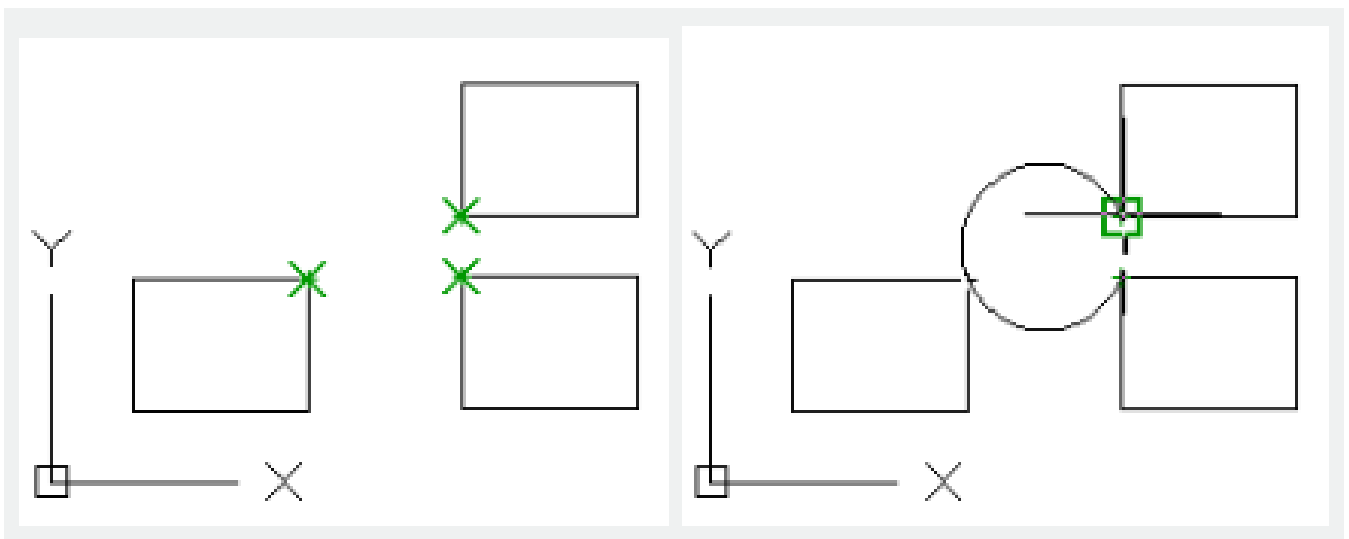


Diameter:

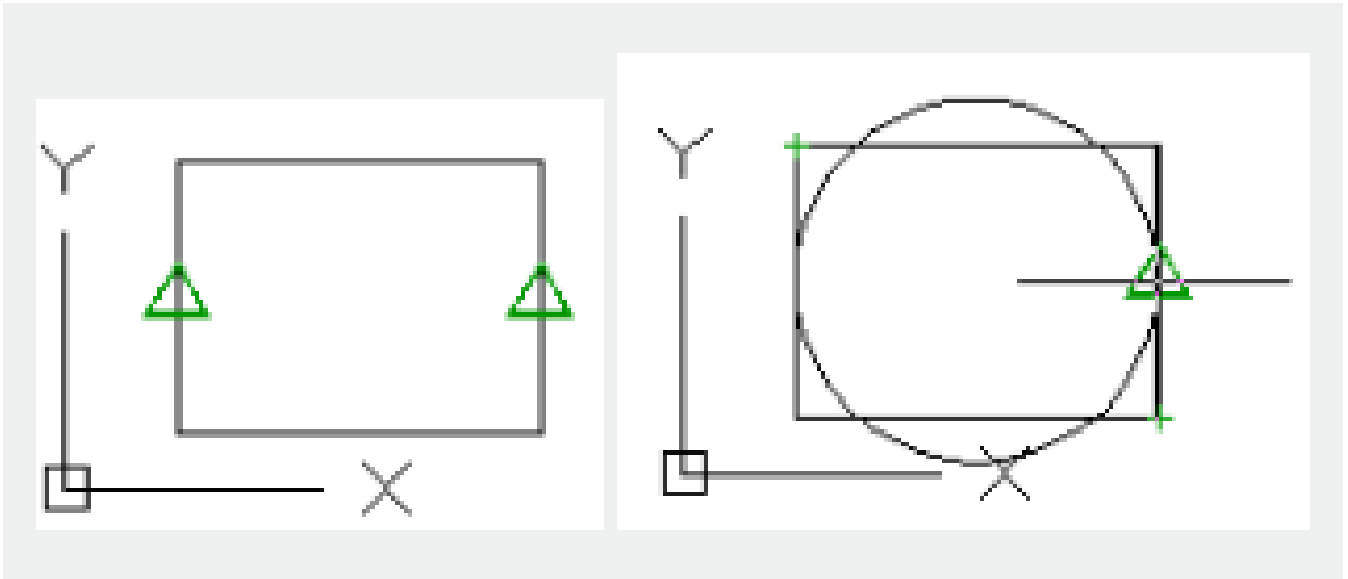
Define circle diameter by inputting value or specifying the second point.



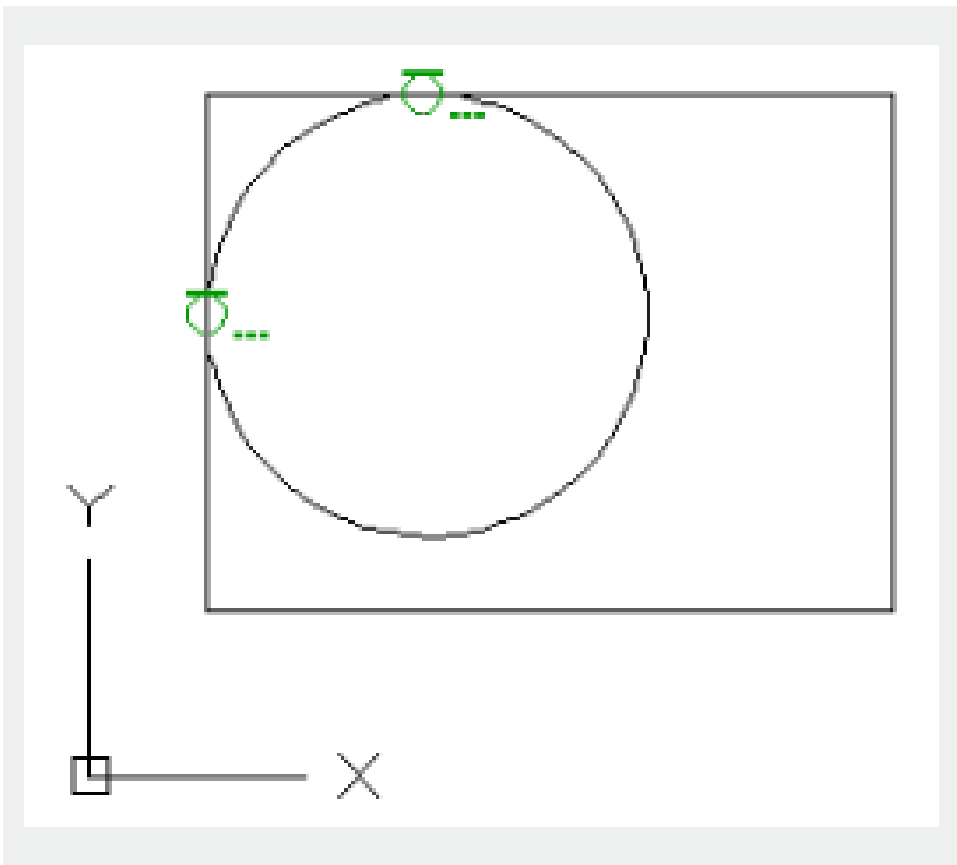
3P:
Create a circle by specifying 3 points on it.



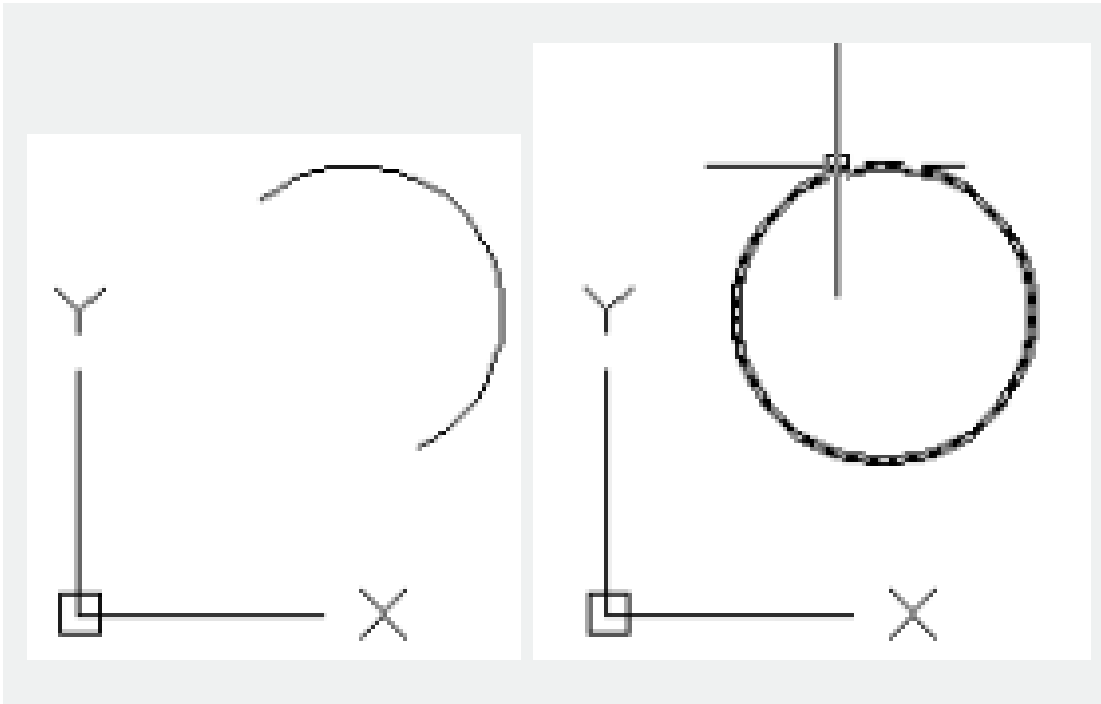
2P:
Create a circle by 2 endpoints of its diameter.



Ttr:
Create a circle by specified diameter and two tangent objects.

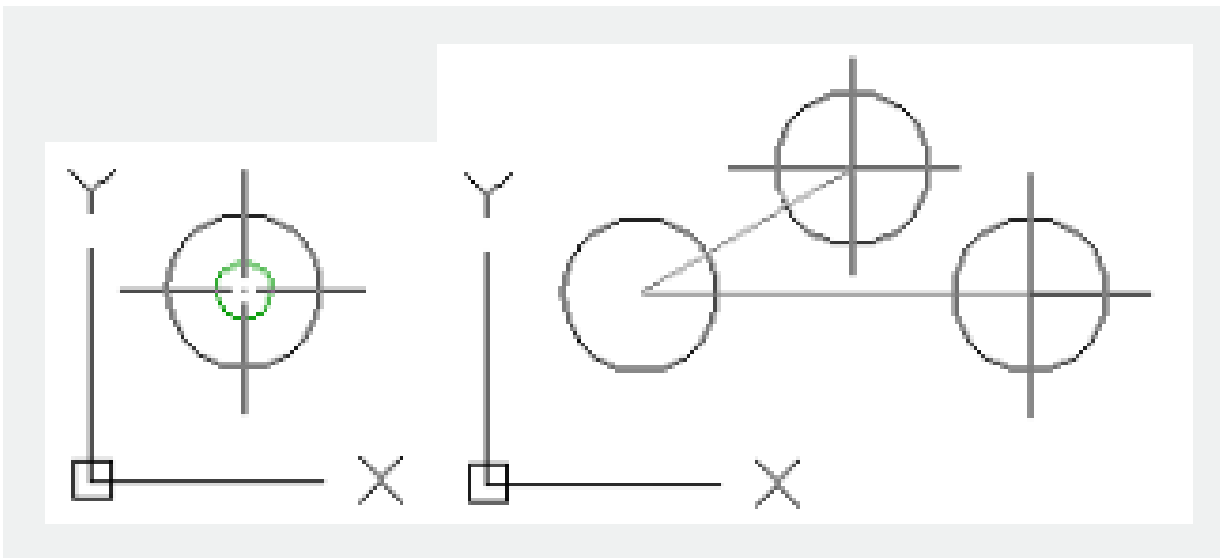


Arc:
Create a circle by an existing arc.



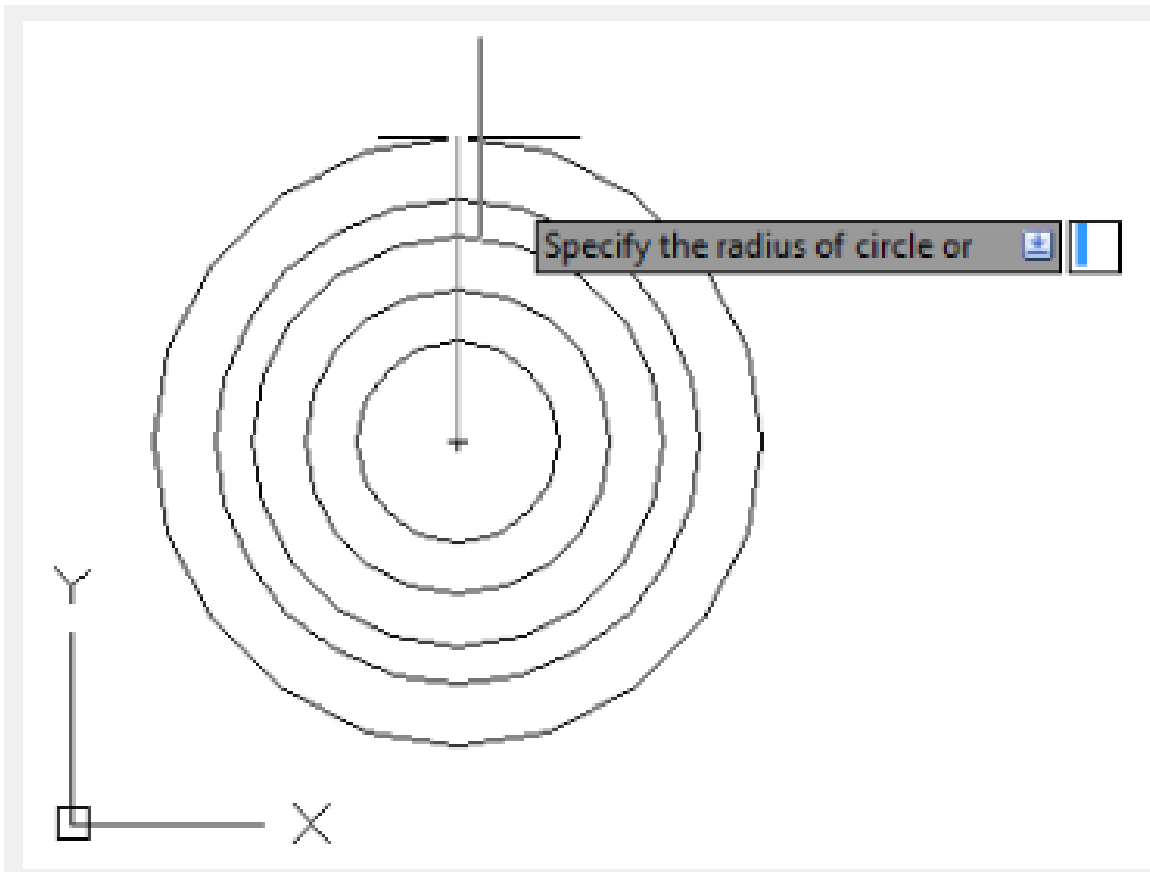
Multiple:

Create more than one circle:



Concentric:

Create more than one concentric circle.



Related tutorial video:

- [Status bar related setting](#) 00:23
- [Line command](#) 00:33
- [Polar](#) 00:39
- [Edit objects + grips](#) 00:56
- [Grips System variable](#) 00:56
- [Use grips to edit objects](#) 00:56
- [Properties command](#) 01:16
- [Display and change the properties of objects](#) 01:16
- [Linetype command](#) 01:26
- [-Linetype command](#) 01:26
- [Control Line Scale](#) 01:26
- [Color command](#) 01:33
- [Change the color of an object](#) 01:33

- [Set the current color](#) 01:33
 - [Polyline command](#) 02:00
 - [Fillet command](#) 02:40
 - [Draw Rectangles and Polygons](#) 03:01
 - [Revcloud command](#) 03:10
 - [Donut command](#) 03:14
 - [Draw Donuts](#) 03:14
 - [Edit objects + grips](#) 03:23
 - [Grips System variable](#) 03:23
 - [Use grips to edit objects](#) 03:23
 - [ARC command](#) 03:54
 - [How to draw an arc with specific arc length](#) 03:54
 - [Circle command](#) 04:42
 - [Concentric circle command](#) 04:54
 - [Properties command](#) 05:54
 - [Mirror command](#) 05:16
-

- [Status bar related setting](#) 00:26
 - [Line command](#) 00:38
 - [Draw Lines](#) 00:38
 - [Menus and Shortcut Menus](#) 00:43
 - [Object snap](#) 01:05
 - [Osnap command](#) 01:12
 - [Draw circles](#) 01:28
 - [Circle command](#) 01:28
 - [Polar](#) 03:40
-

- [Status bar related setting](#) 00:15
- [Draw Rectangles and Polygons](#) 00:26
- [Rectang command](#) 00:26
- [Polygon command](#) 00:26
- [Arc command](#) 00:30

- [Trim command](#) 00:40
- [Extend command](#) 01:51
- [Offset command](#) 02:23
- [Stretch command](#) 03:35
- [Edit objects + grips](#) 03:55
- [Break object](#) 04:13
- [Circle command](#) 05:51
- [Draw circles](#) 05:51
- [Break command](#) 05:56
- [Join command](#) 06:32
- [Scale command](#) 06:53
- [Lengthen command](#) 07:29
- [Copy command](#) 08:20
- [Rotate command](#) 08:47
- [Move command](#) 09:07

Above video sources from [TUTORIAL - GETTING STARTED WITH GSTARCAD](#), enrol now for free.

Online URL: <https://www.gstarcad.com.my/knowledge/article/circle-command-2032.html>