

# DIMARC command

2075 GstarCAD MY /KW April 15, 2022 [CAD Commands](#) 0 1427

The **DIMARC** command is used to create an arc length dimension.

## Command Access:

**Ribbon** : Annotation > Dimension> Dimension > Arc Len

**Menu** : Dimension > Arc Length

**Command** : DIMARC

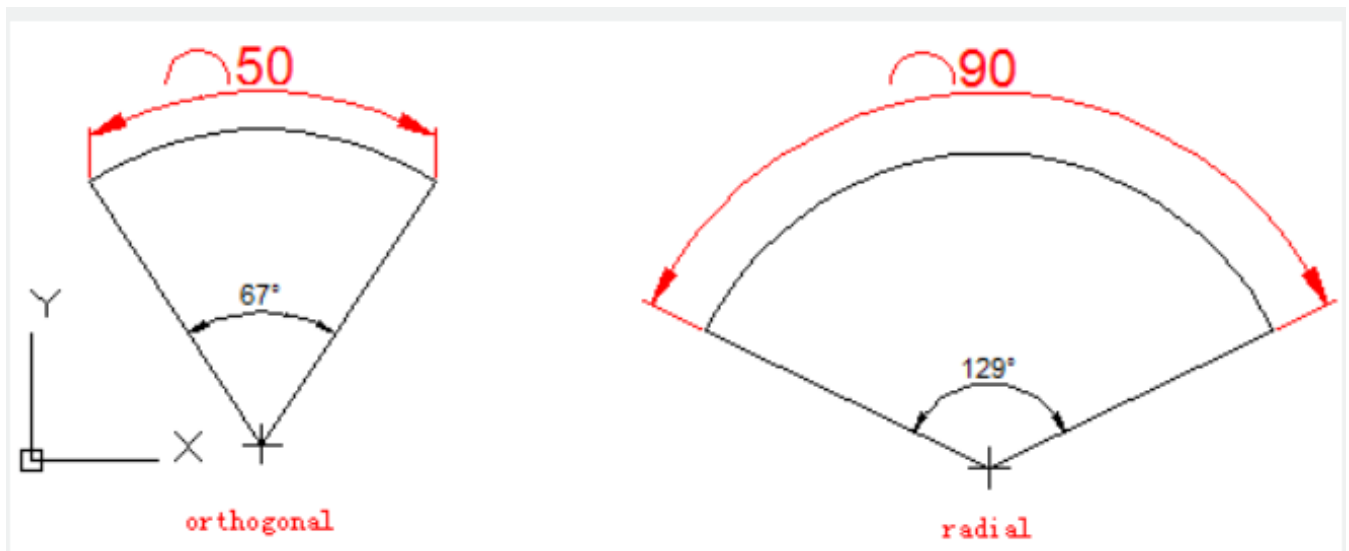
## Command Prompts:

Select arc or polyline arc segment::

Specify arc length dimension location or [Mtext/Text/Angle/Partial/Leader]:

## Function Description:

This command could measure arc or polyline arc segment. The dimension line could be orthogonal or radial. There is an arc symbol in front of dimension text.



## Relative Glossary:

### Arc length dimension location:

Specify dimension location and direction.

### Mtext:

Edit dimension annotation text by In-place text editor. Users could input special characters and symbols by control code or Unicode character string.

If the unit conversion is off, users could input square bracket ([ ]) to display them.

The current annotation style determines the appearance of generated measured value.

### Text:

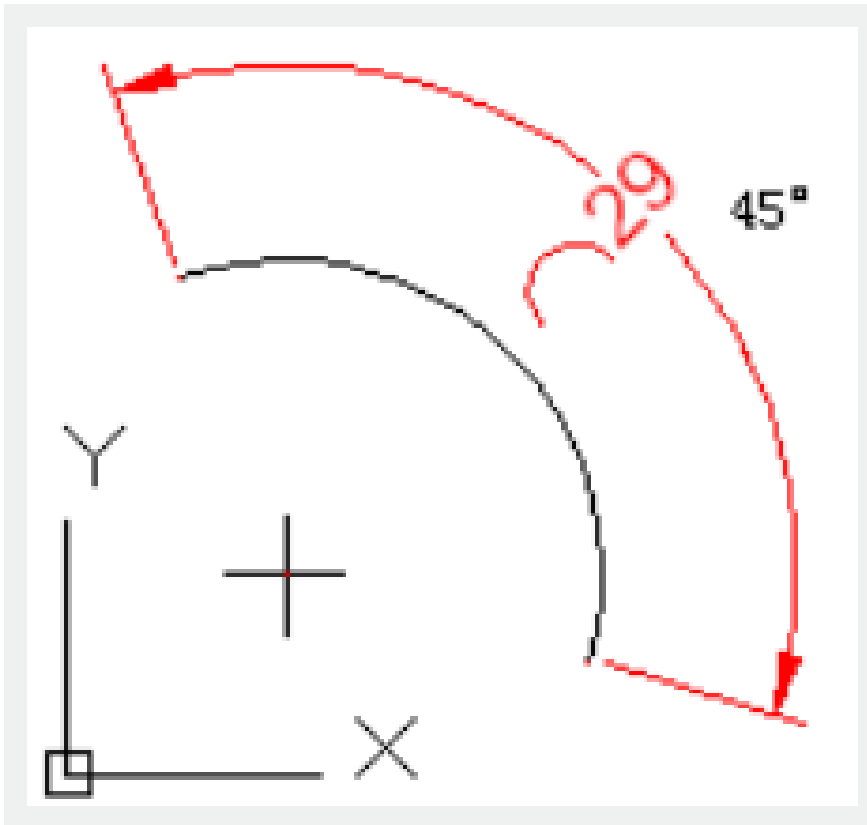
Customize annotate text under command prompt.

The generated measured value will be displayed in angle bracket (<>). If the unit conversion is off, users could input square bracket ([]) to display them.

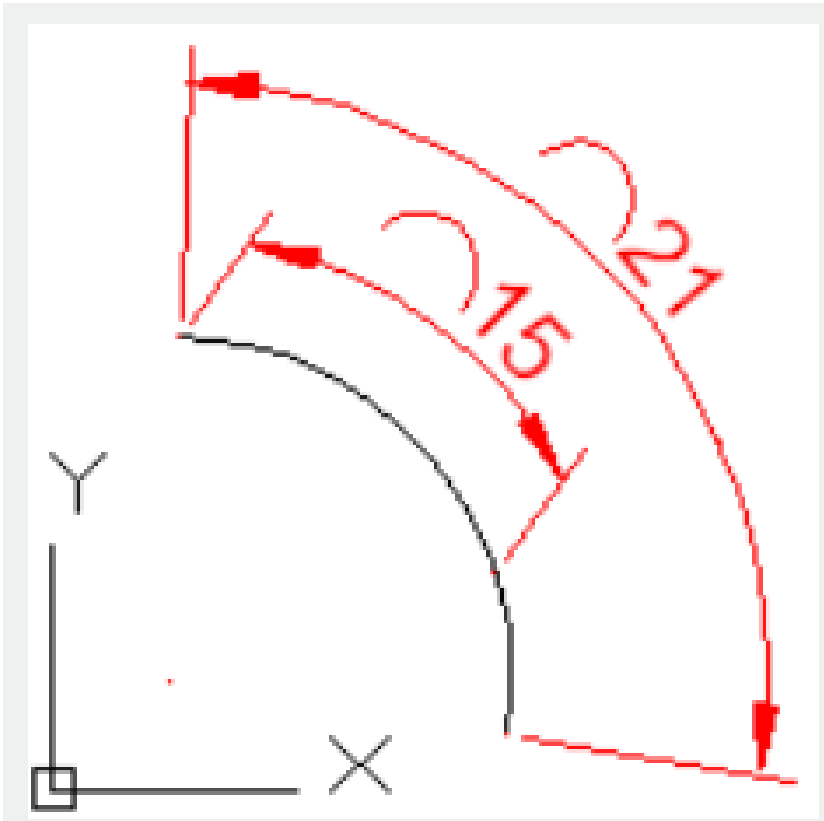
User could reset the dimension style in "Text" option of New, Modify, and Override in Dimension Style Manager Dialog box.

**Angle:**

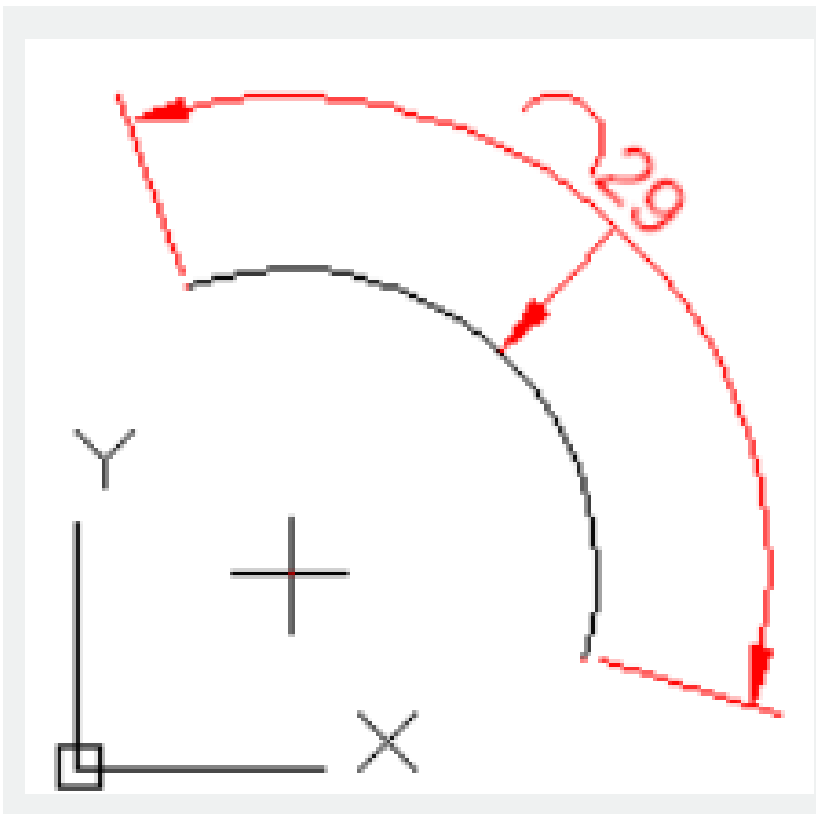
Specify the angle of text.



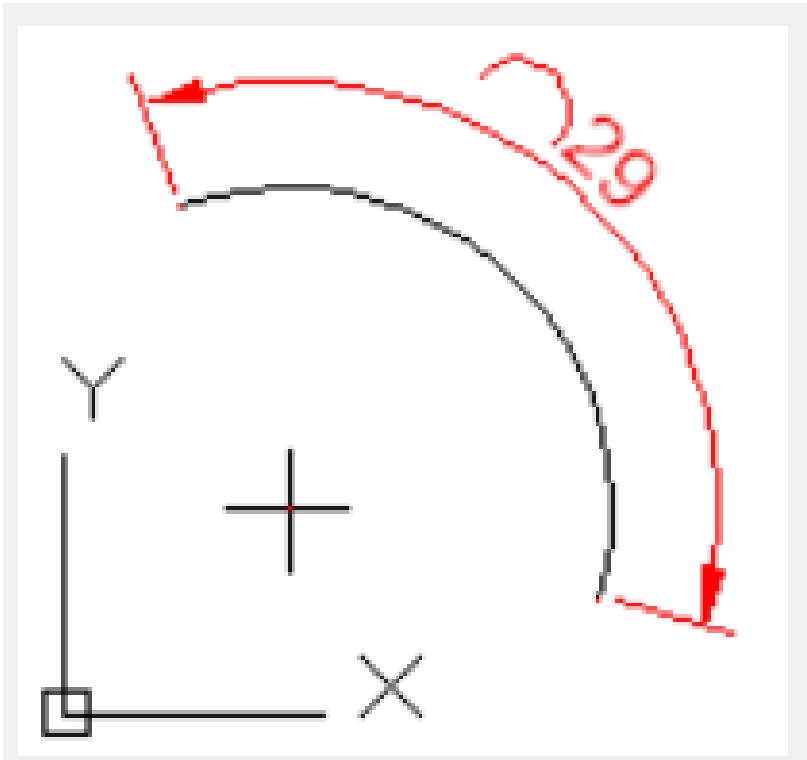
**Partial :** Shorten length of arc dimension.



**Leader** : Add a leader. Only if the arc or arc segment is larger than 90 degrees, this option displays. The leader is created in radial direction and point to center of arc.



**No leader** : Cancel "Leader" option before creating Leader. If users want to remove leader, they should remove arc dimension and then create a new arc dimension without leader.



---

**Related tutorial video:**

- [Dimstyle command](#) 00:27
- [Dimlinear command](#) 02:29
- [Menus and Shortcut Menus](#) 02:41
- [Dimaligned command](#) 02:51
- [Dimangular command](#) 03:11
- [Dimarc command](#) 03:19
- [Dimradius command](#) 03:31
- [Dimdiameter](#) 03:41
- [Dimcontinue command](#) 04:08
- [Dimbaseline command](#) 04:46
- [Dimcenter](#) 05:07
- [QDIM command](#) 05:30
- [Menus and Shortcut Menus](#) 07:05
- [Properties command](#) 07:08
- [Propertiesclose command](#) 07:08
- [Dimbreak command](#) 07:43
- [Menus and Shortcut Menus](#) 08:34
- [Dimreassociate command](#) 08:52

- [Dimtoffset command](#) 09:19
- [Dimregen command](#) 09:29

Above video sources from [TUTORIAL - GETTING STARTED WITH GSTARCAD](#), enrol now for free.

Online URL: <https://www.gstarcad.com.my/knowledge/article/dimarc-command-2075.html>