

# DIMBREAK command

2077 GstarCAD MY /KW August 11, 2021 [CAD Commands](#) 0 1237

The **DIMBREAK** command is used to break or restore dimension or extension line, when the dimension and extension line intersects or intersects with other objects.

## Command Access:

**Ribbon** : Annotation >Dimension > DIMBREAK

**Menu**: Dimension >Dimension Break

**Command** : DIMBREAK

## Command Prompts:

Select dimension to add/remove break or [Multiple]:

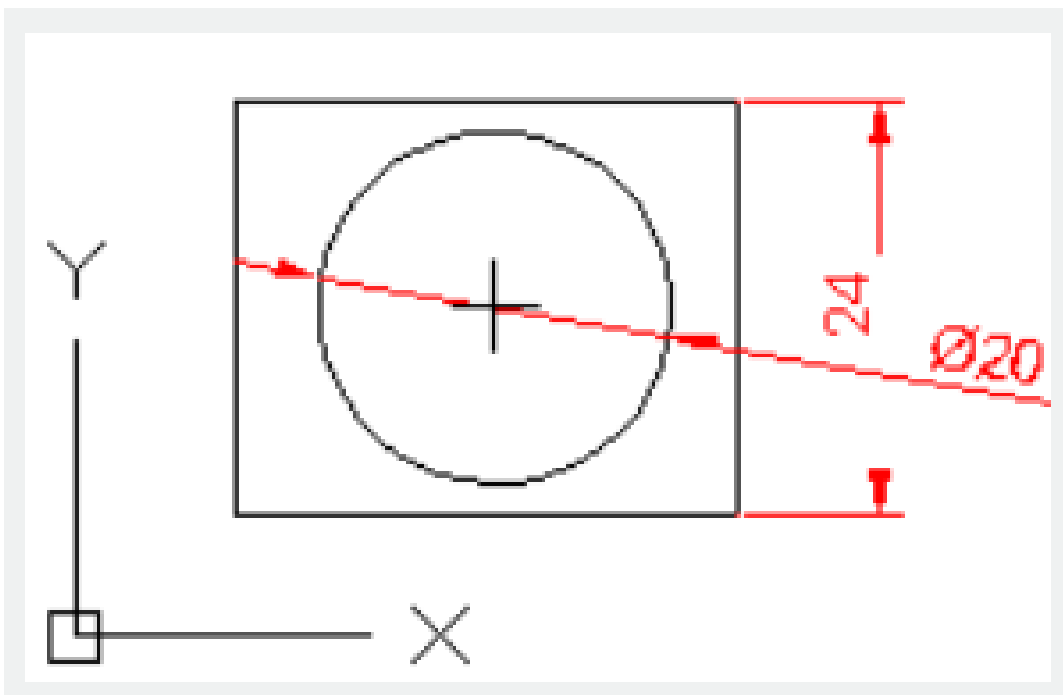
Select object to break dimension or [Auto/Manual/Remove] :

Select object to break dimensions:

## Function Description:

Users could add break to linear, angular, or ordinate dimensions.

**Note**: in the Manual state, users could add breaks to dimensions without intersection with dimension or extension line



## Relative Glossary:

### Multiple:

Specify multiple dimensions to add to or remove breaks from.

**Auto:**

Automatically put breaks at every intersection of specified dimension. If modifying dimensions or intersection objects, their breaks will update automatically. If creating new objects that intersect with break, it will not create any new break automatically. To add new breaks, users must run this command again.

**Remove:**

Remove all breaks from specified dimensions.

**Manual:**

Manually put breaks on dimensions. Specify two points on dimension or extension line for break position. If modifying dimensions or objects, breaks will not update. In the Manual state, users could only place one break at a time.

Online URL: <https://www.gstarcad.com.my/knowledge/article/dimbreak-command-2077.html>