

# DIMSPACE command

2091 GstarCAD MY /KW August 11, 2021 [CAD Commands](#) 0 868

The **DIMSPACE** command is used to modify the space of linear dimensions or angular dimensions.

## Command Access:

**Ribbon** : Annotation > Dimension > DIMSPACE

**Menu** : Dimension > Dimension Space

**Command** : DIMSPACE

## Command Prompts:

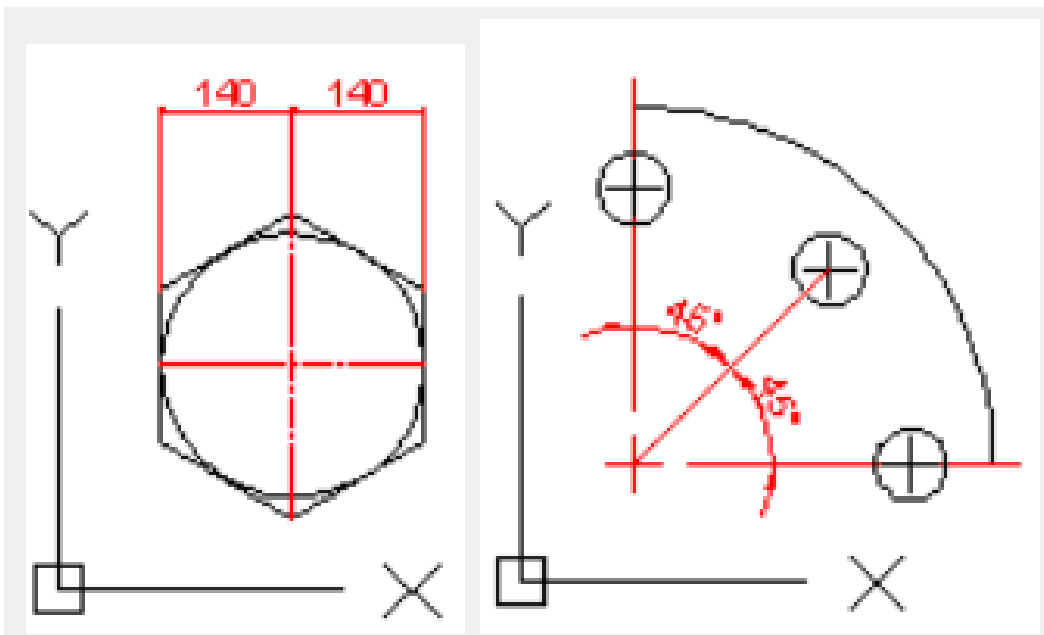
Select base dimension:

Select dimension to space :

Enter value or [Auto]<Auto>:

## Function Description:

Users could specify equal space for parallel dimension extension lines. They could also specify its space to 0 to make linear dimension or angular dimension alignment. This command is only applied on parallel dimensions or angular dimension which sharing one vertex.



## Relative Glossary:

### Enter value:

Enter value for space and apply it on selected dimensions. If the inputted value is 0, the selected linear dimension and angular dimension will be aligned.

### Auto:

Automatically calculate space of dimension extension lines. It is based on its baseline dimension style

and its text height. The calculated space is twice of its dimension height.

Online URL: <https://www.gstarcad.com.my/knowledge/article/dimspace-command-2091.html>