

## INTERFER command

2164 GstarCAD MY /KW August 16, 2021 [CAD Commands](#) 0 1103

The **INTERFER** command is used to create a temporary 3D solid by interference of two specified groups of 3D solids.

### Command Access:

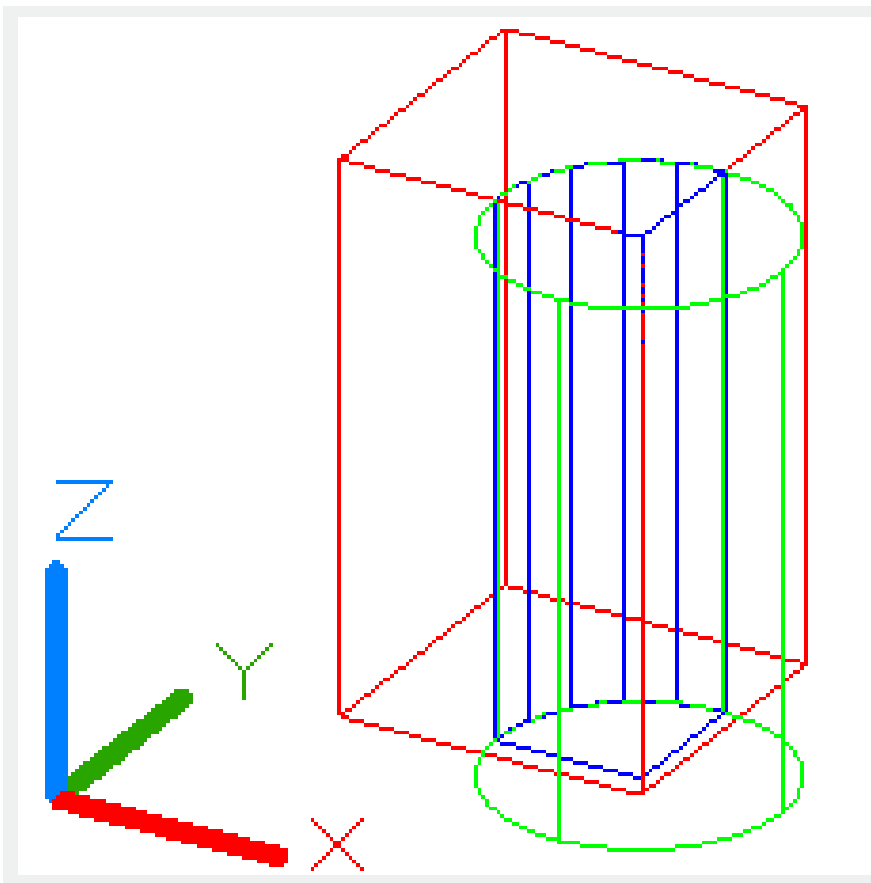
**Menu** : Modify > 3D Operations > Interference Checking

**Command** : INTERFERE

### Command Prompts:

Select first set of objects or [Nested selection/Setting]: Select second set of objects or [Nested selection/check first set] :

### Function Description:



Online URL: <https://www.gstarcad.com.my/knowledge/article/interfer-command-2164.html>