

# SECTIONPLANE command

2344 GstarCAD MY /KW August 20, 2021 [CAD Commands](#) 0 853

The SECTIONPLANE command is used to create sections of 3D object by creating section planes.

## Command Access:

**Menu :** Draw > Modeling > Section Plane

**Command:** SECTIONPLANE

## Command Prompts:

Select face or any point to locate section line or [Draw section/Orthographic]:

## Function Description:

Users could create sections for 3D solid, surface and mesh.

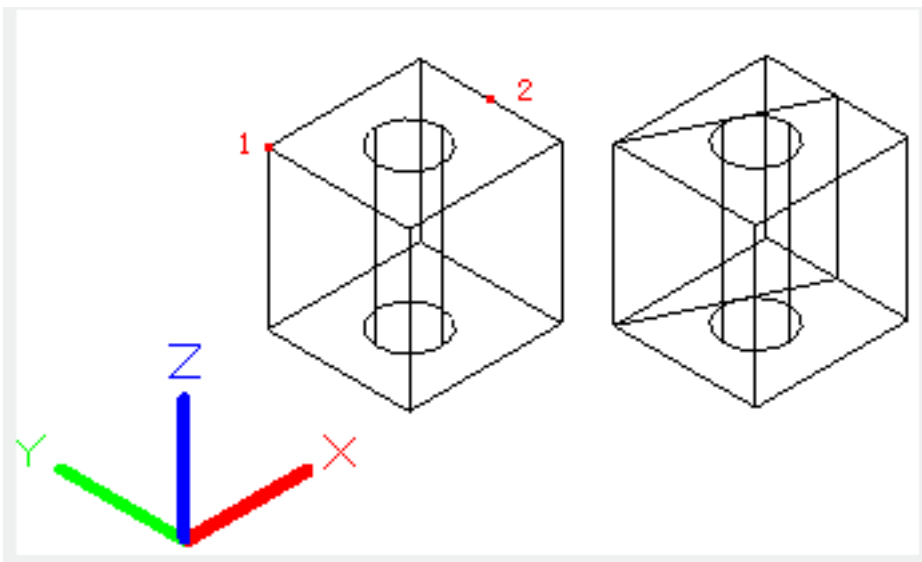
## Relative Glossary:

### Select face or any point to locate section line

Specify a face to create section plane, or select one point in any position to create section plane that independent of solid or surface. This point will become center that section plane revolving around.

### Specify through point:

Specify the second point to define the section plane.



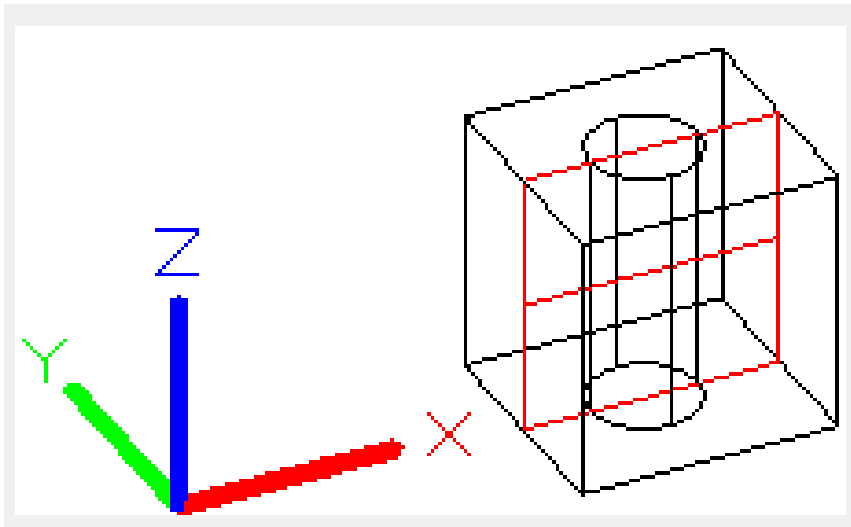
### Draw section:

Define the section plane with multiple vertexes by twist section lines.

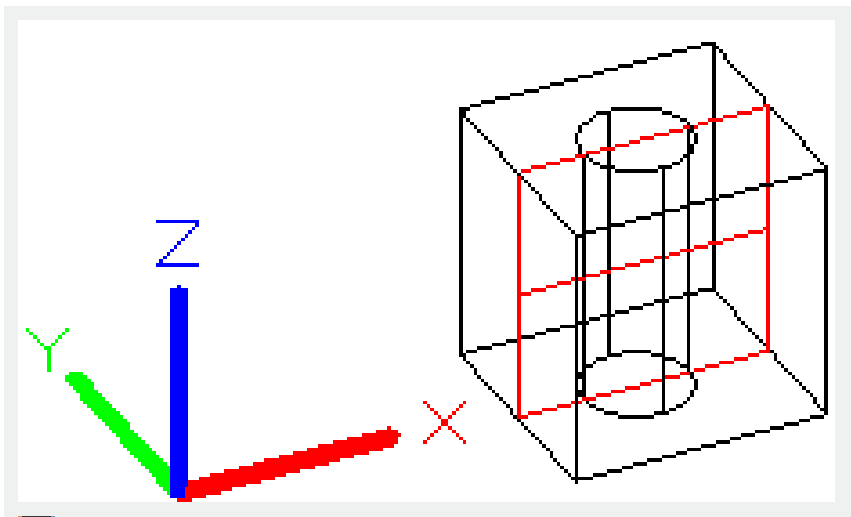
### Orthographic:

Align the section object to the orthogonal direction of relative UCS.

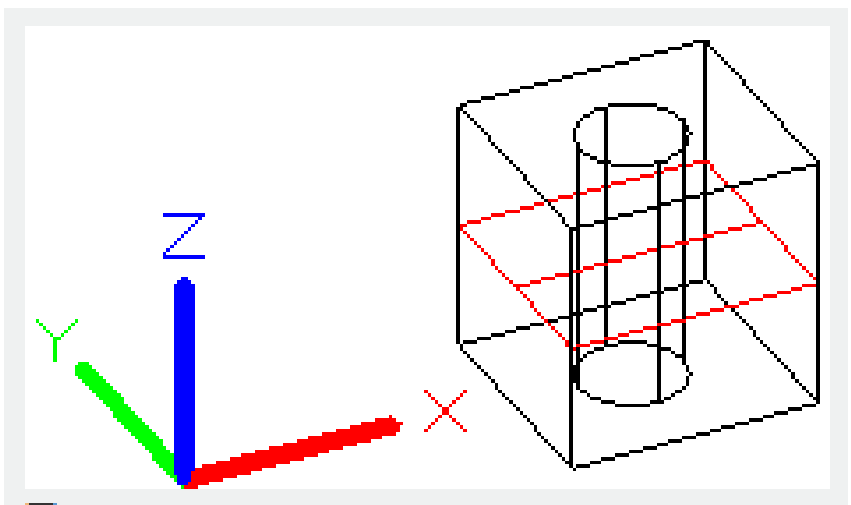
**Front:**



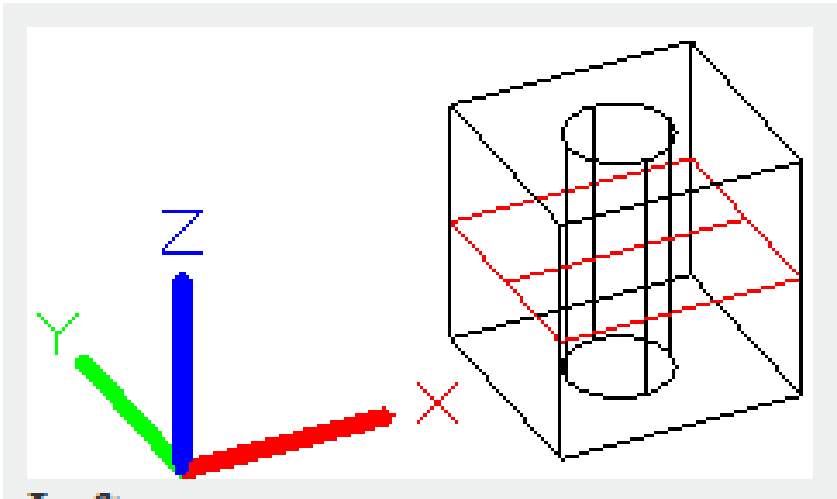
**Back:**



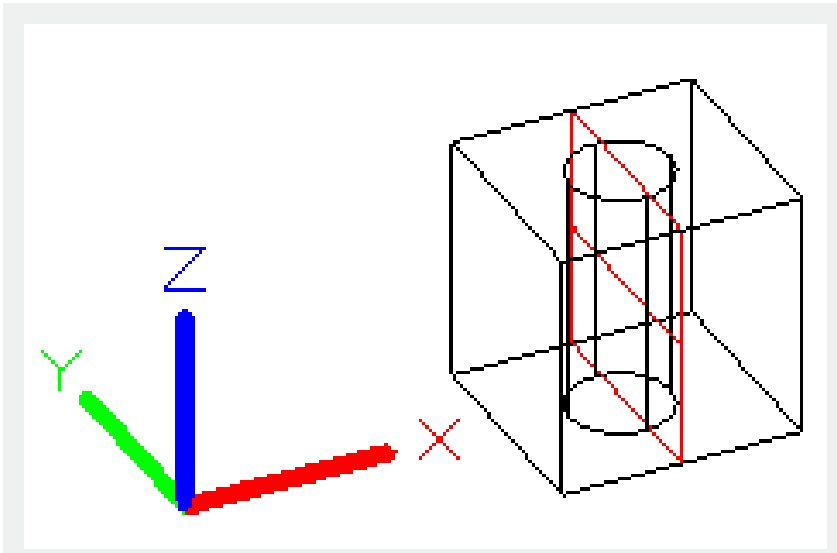
**Top:**



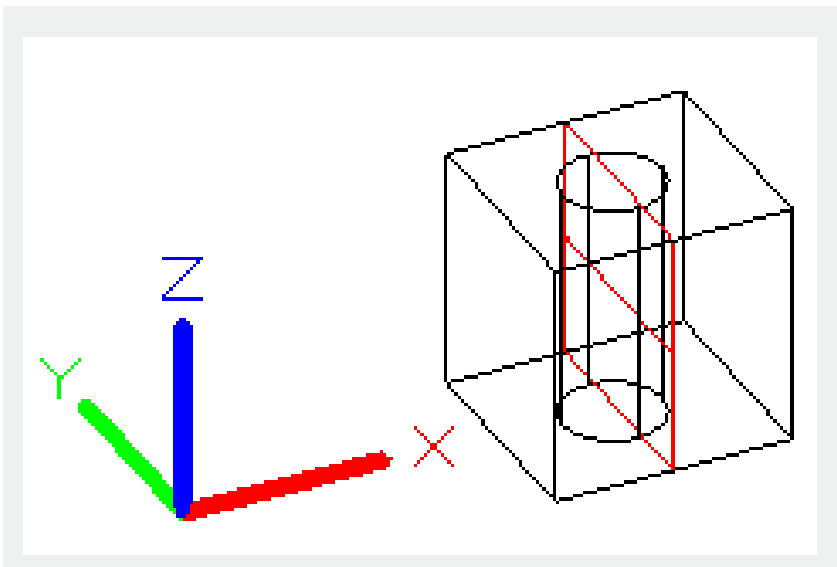
**Bottom:**



Left:



Right:



Online URL: <https://www.gstarcad.com.my/knowledge/article/sectionplane-command-2344.html>