

# UNION command

2413 GstarCAD MY /KW April 15, 2022 [CAD Commands](#) 0 1325

The **UNION** command is used to combine selected 3D solid, surface, or 2D regions by adding operation.

## Command Access:

**Ribbon** : 3D > Solid Editing >UNION

**Menu** : Modify > Solid Editing> Union

**Command** : UNION

## Command Prompts:

Select object:

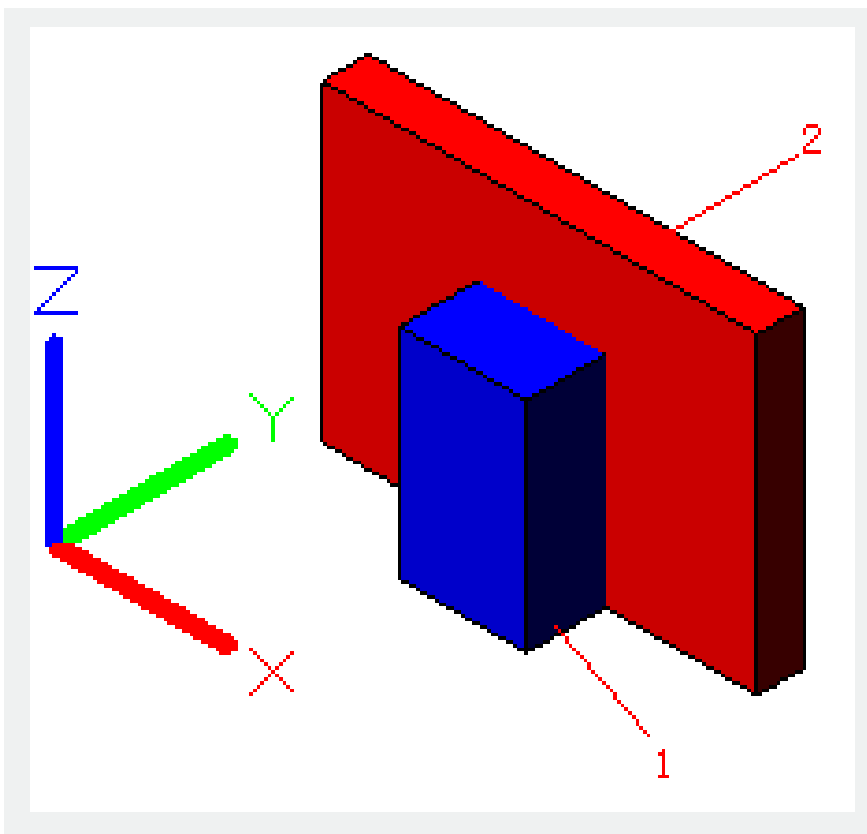
## Function Description:

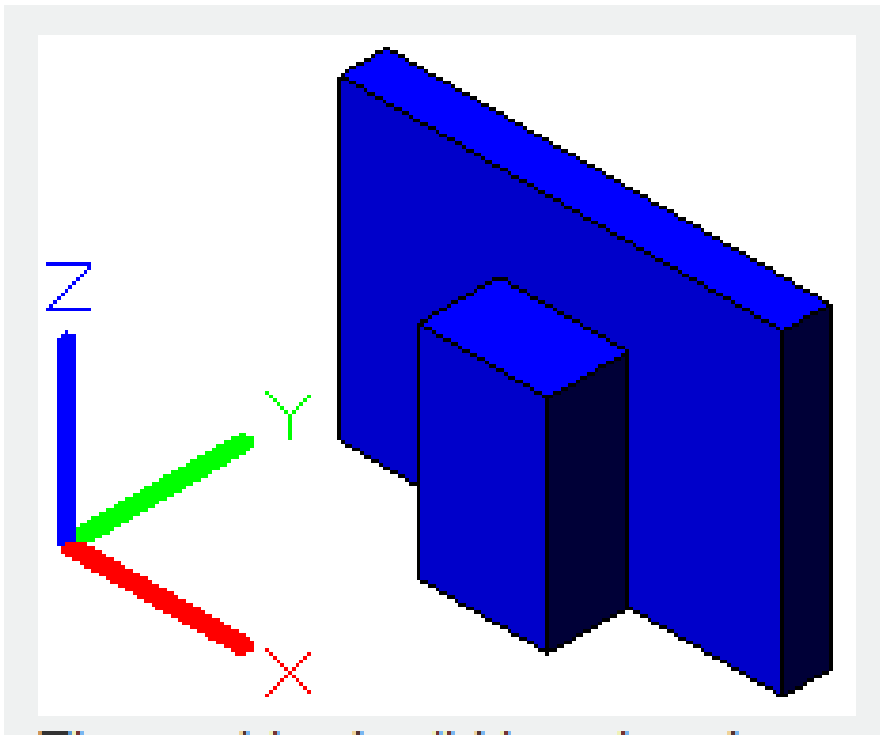
Users must select the same kind of objects to union. **Apply UNION command on surfaces:**

Although the UNION could be applied on surfaces, it may lead to losing association.

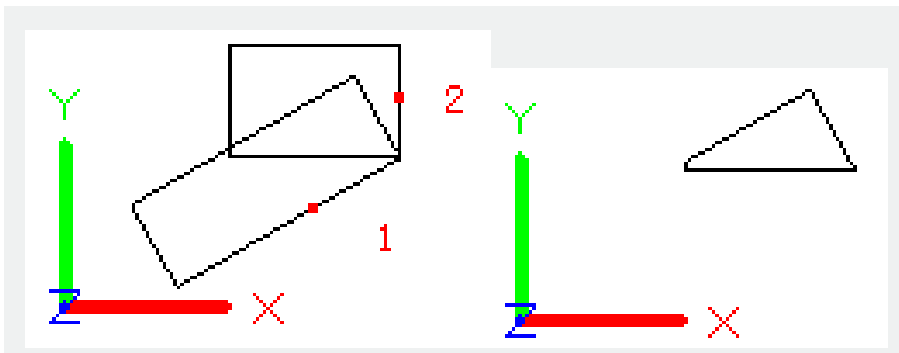
**Apply UNION command on solids and regions:**

The select set could contain any numbers of objects on different planes. If selected mixed type of objects, it will separately combine sub set. The solid will be arranged in the first set, the first selected region and other regions in the same plane will be arranged in the second sub set, and so on.





The combined solid is a closed space formed by all selected solids and the combined region is a closed region formed by all selected regions.



The combined solid is a closed space formed by all selected solids and the combined region is a closed region formed by all selected regions.

---

**Related tutorial video:**

- [View command](#) 00:25
- [Menus and Shortcut Menus](#) 00:37
- [Unisolateobjects command](#) 00:37

- [Qnew command](#) 00:48
- [Status bar related setting](#) 00:52
- [Box command](#) 01:03
- [Union command](#) 01:50
- [Xedges command](#) 02:03
- [Filletedge command](#) 02:08
- [Vscurrent command](#) 02:45
- [Extrude command](#) 03:27
- [Rectang command](#) 04:22
- [Move command](#) 04:45
- [Line command](#) 05:06
- [ARC command](#) 05:16
- [Trim command](#) 05:23
- [Join command](#) 05:46
- [Convto surface command](#) 06:35
- [Slice command](#) 06:51
- [Solidedit](#) 08:32

Above video sources from [TUTORIAL - GETTING STARTED WITH GSTARCAD](#), enrol now for free.

Online URL: <https://www.gstarcad.com.my/knowledge/article/union-command-2413.html>