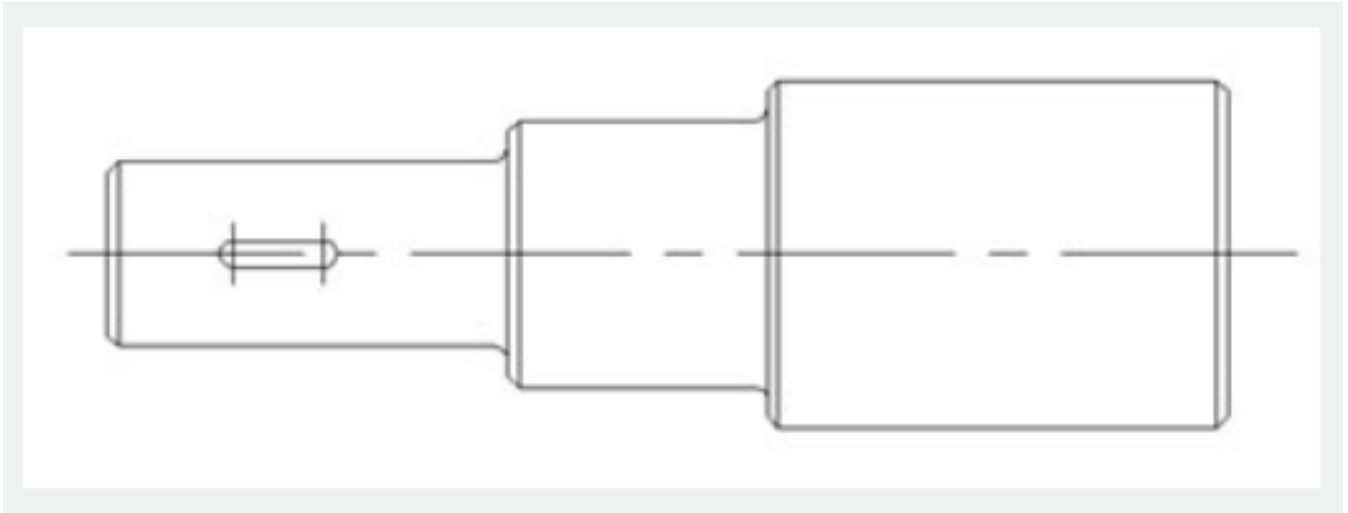


Point Movement

2526 GstarCAD MY /KW November 9, 2021 [Workflow](#) 0 743

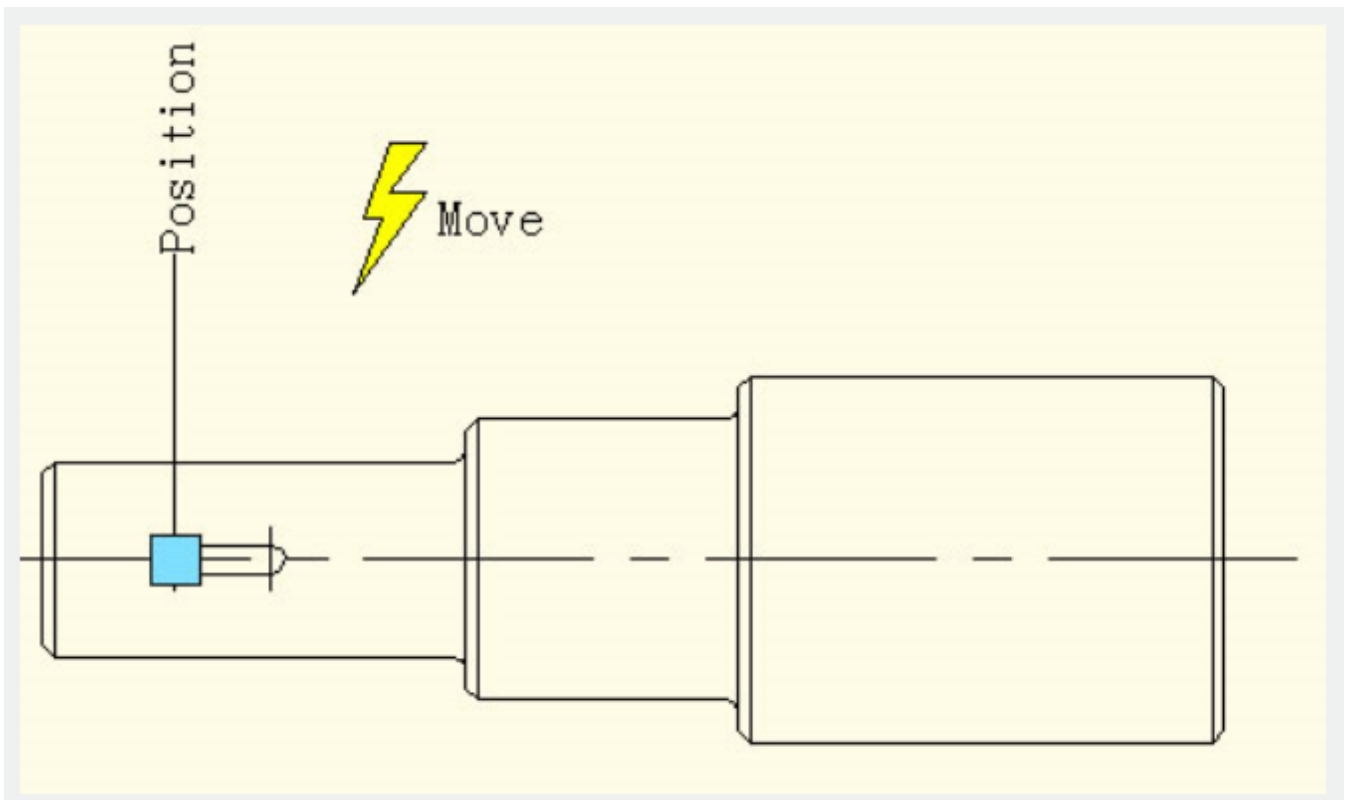
1. Draw a drawing

Draw a drawing like below, define as block.



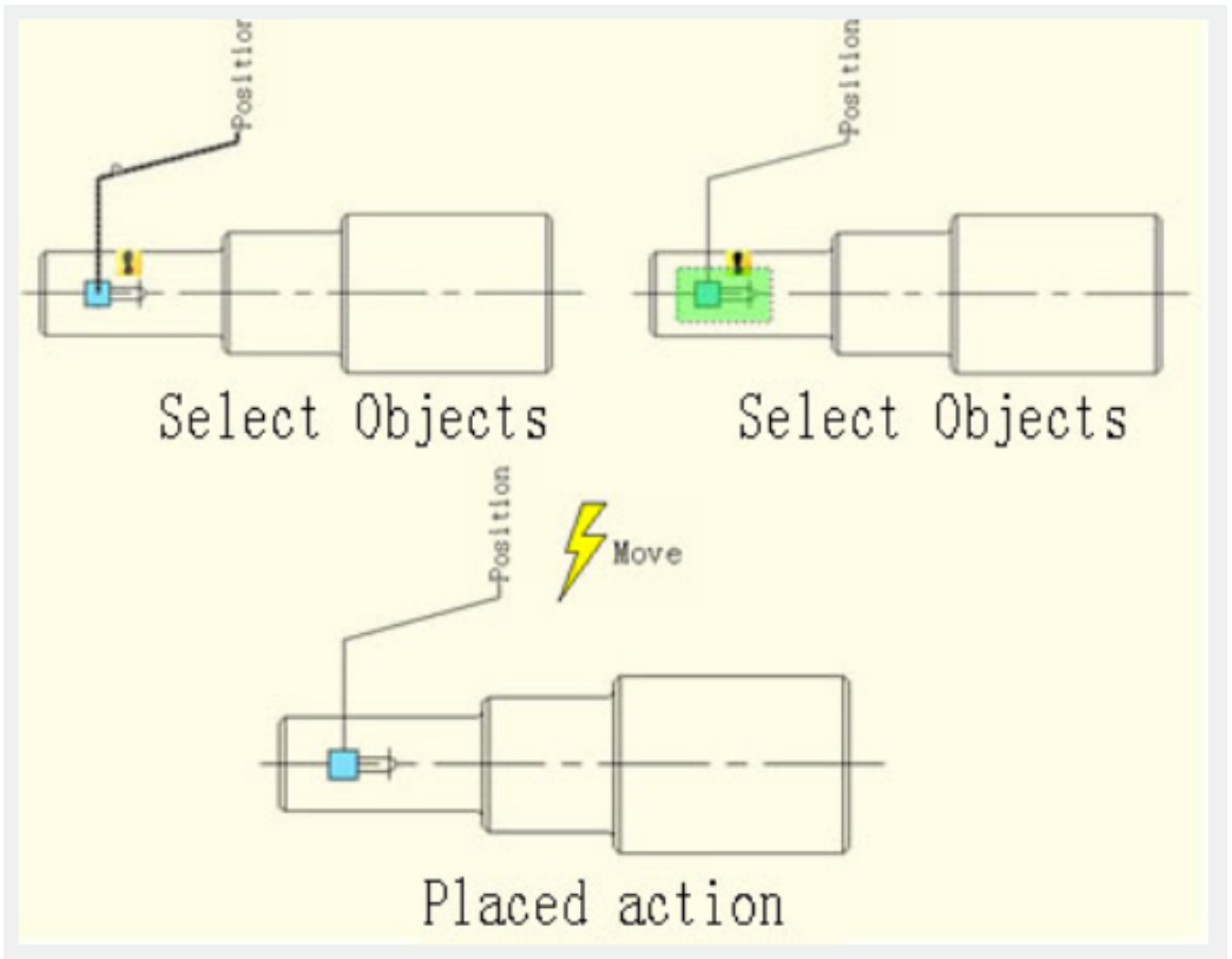
2. Add point parameter

Click point parameter on the tool bar, define the parameter position according to prompt, as shown in below picture.



3. Add move action

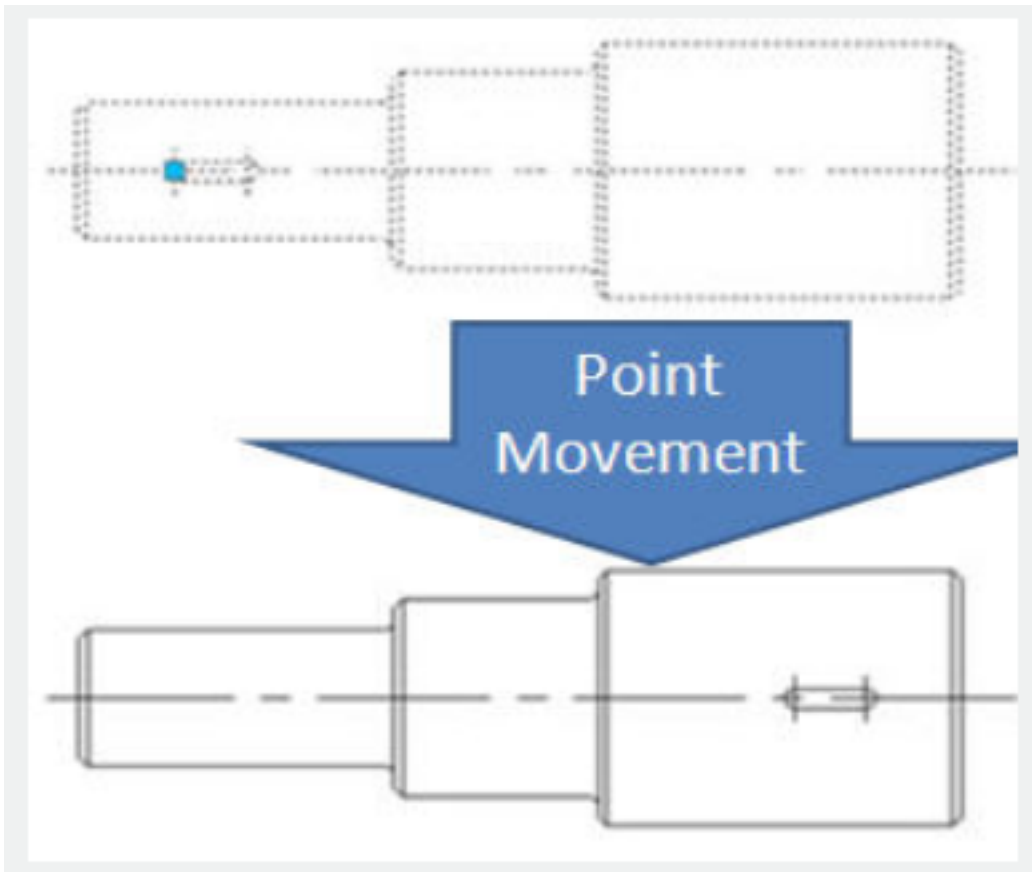
Click move action button on action panel, match parameter and object for the action, and define the position, as shown in below picture.



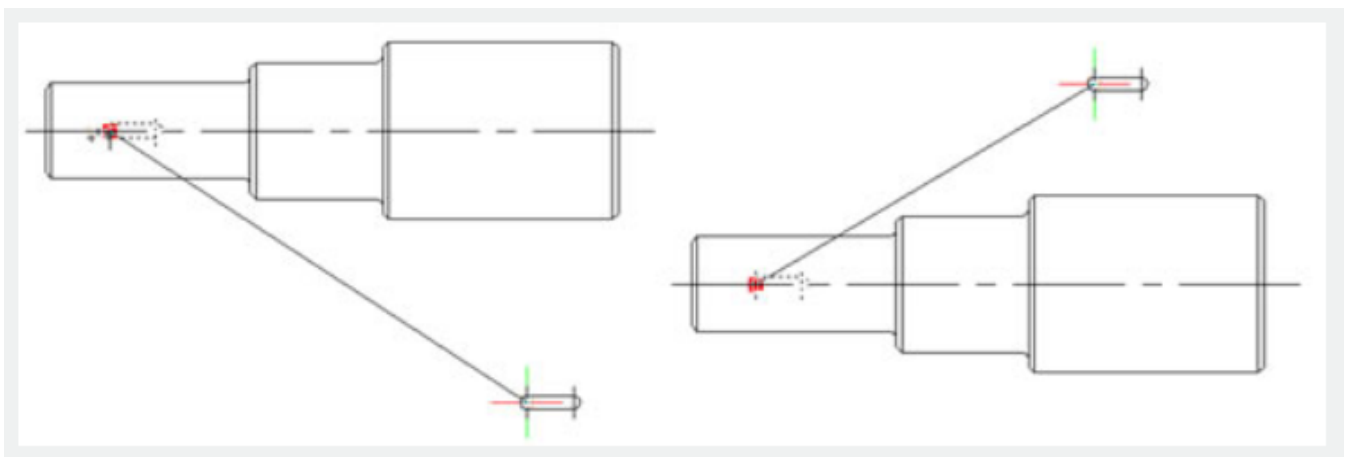
The position of action label does not affect the effect of the dynamic block, however, for the sake of beauty& convenience, try to put the label near the related parameter.

4. Test dynamic block

Insert the dynamic block, drag the blue grip, then move the keyway to the right accordingly, as shown in below picture. Obviously, the dynamic block can achieve the expected results



Please pay attention, if it is not run with orthotropic constraint, the keyway can move towards every direction because the direction of the point parameter is random, the characteristic of the parameter decides the characteristic of action.



Online URL: <https://www.gstarcad.com.my/knowledge/article/point-movement-2526.html>