

Change Dimension Text

2654 GstarCAD MY /KW November 12, 2021 [Workflow](#) 0 957

Change the dimension content into the specified value

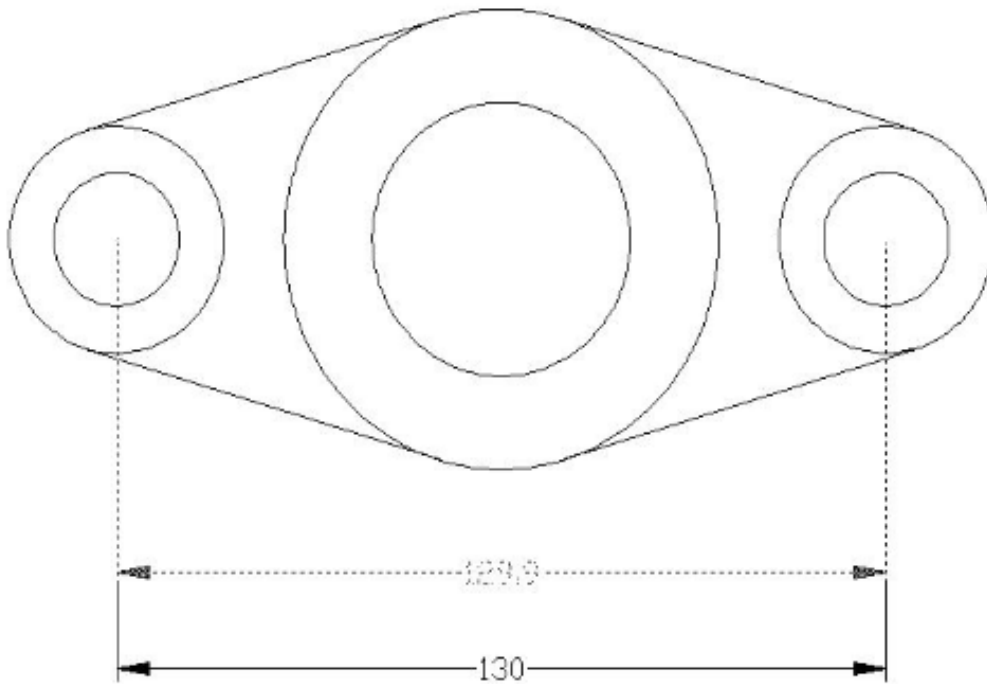
Menu : Express>Dimension>Change Dimension Text

Command Entry : CHGDIMTXT

Command line prompts as follows:

Select dimension objects: Select a dimension

Currently label content <129.9>, input new dimension text <practically measure dimension>: Type a new value (130)



Online URL: <https://www.gstarcad.com.my/knowledge/article/change-dimension-text-2654.html>