

Reset Dim Text Value

2656 GstarCAD MY /KW November 12, 2021 [Workflow](#) 0 632

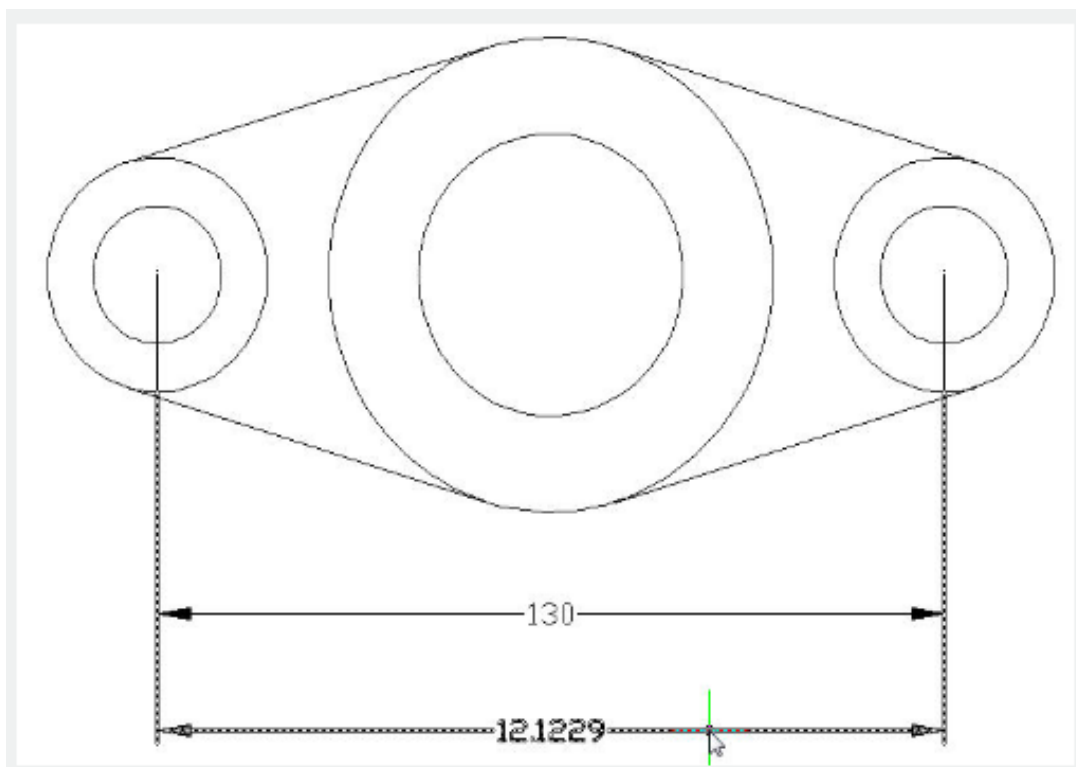
Restore a measurement value to overridden or modified dimension text.

Menu: Express>Dimension>Reset Dim Text Value

Command Entry: DIMREASSOC

Command line prompts as follows:

Select object: Select dimension objects with non-associative text or press ENTER to quit



Online URL: <https://www.gstarcad.com.my/knowledge/article/reset-dim-text-value-2656.html>