

Dimstyle Import

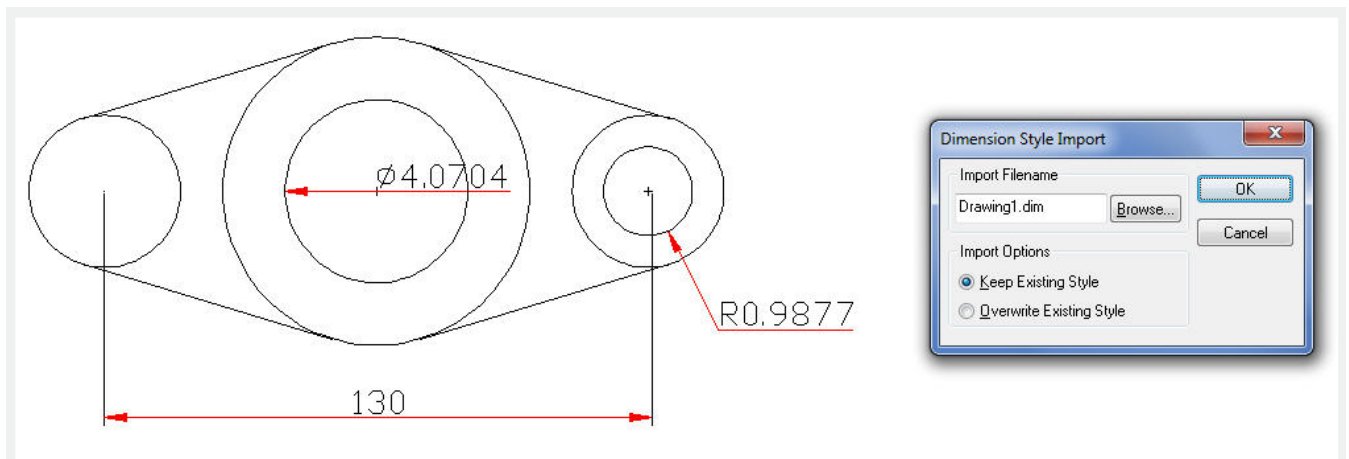
2659 GstarCAD MY /KW November 15, 2021 [Workflow](#) 0 810

Imports named dimension styles from a DIM file into the current drawing.

Menu : Express>Dimension>Dimstyle Import

Command Entry : DIMIM

Executing this command, starts the following dialog box :



Import Filename

Names the file you want to import. Enter an existing file name or select Browse to specify a DIM file to import. The file must be of the form generated by the corresponding DIMEX command. All dimension styles in the selected file are imported into the current drawing. Text styles are also imported.

Import Options

Includes Keep the Existing Style, to keep the dimension style in the current drawing and Overwrite Existing Style, to overwrite styles in the current drawing. The Keep the Existing Style option ignores the similarly named style being imported; Overwrite Existing Style uses the similarly named style being imported.

Online URL: <https://www.gstarcad.com.my/knowledge/article/dimstyle-import-2659.html>