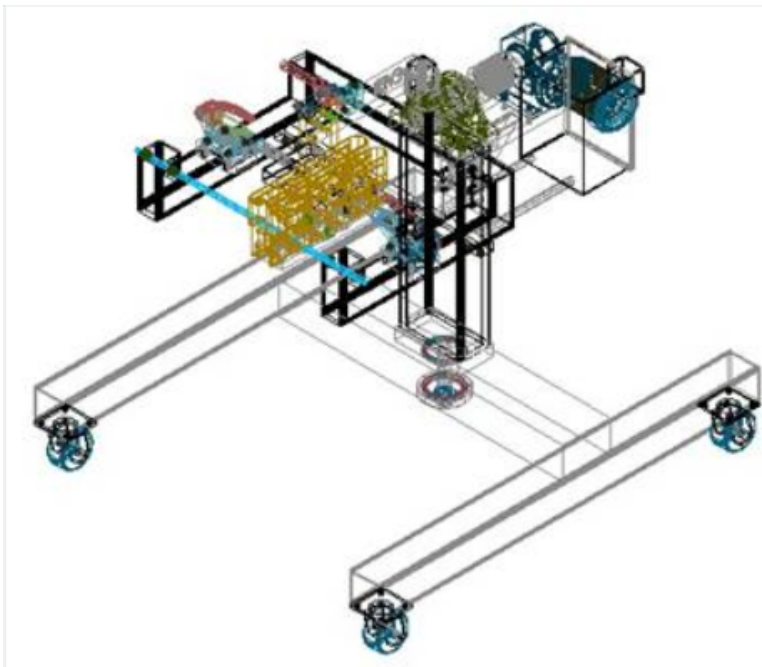
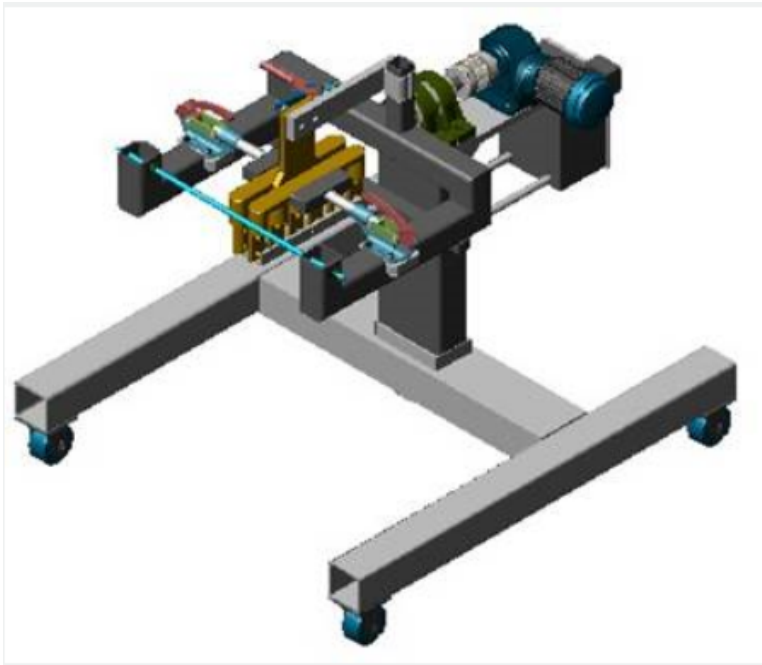


Flatten Objects

2682 GstarCAD MY /KW November 30, 2021 [Workflow](#) 0 824

Flatten creates a 2D representation from a 3D model or you can use it to force the thickness and elevations of selected objects to 0.



Online URL: <https://www.gstarcad.com.my/knowledge/article/flatten-objects-2682.html>